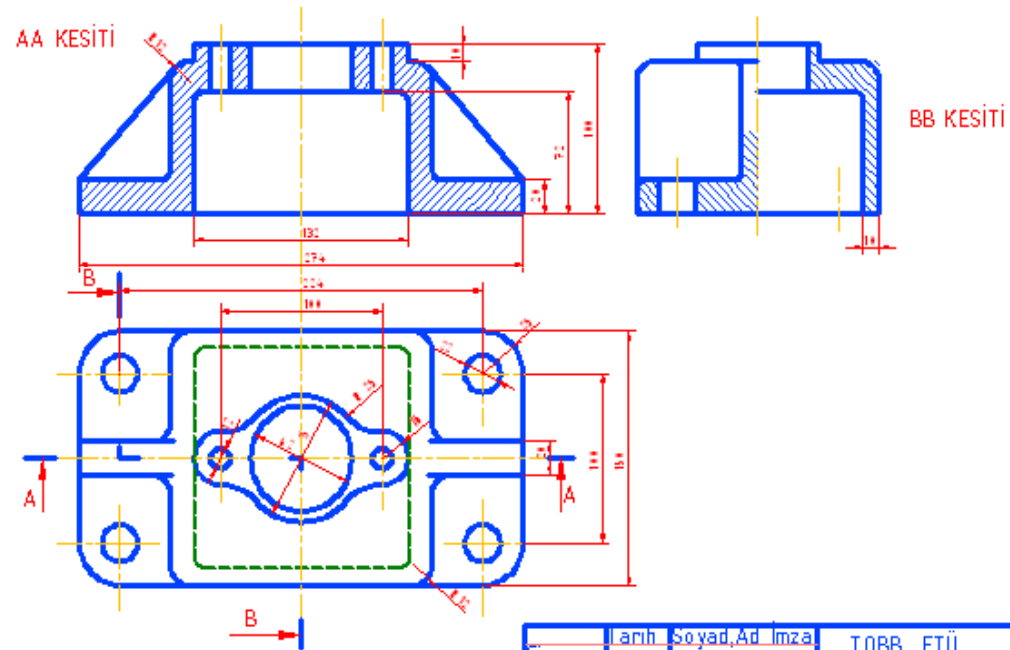
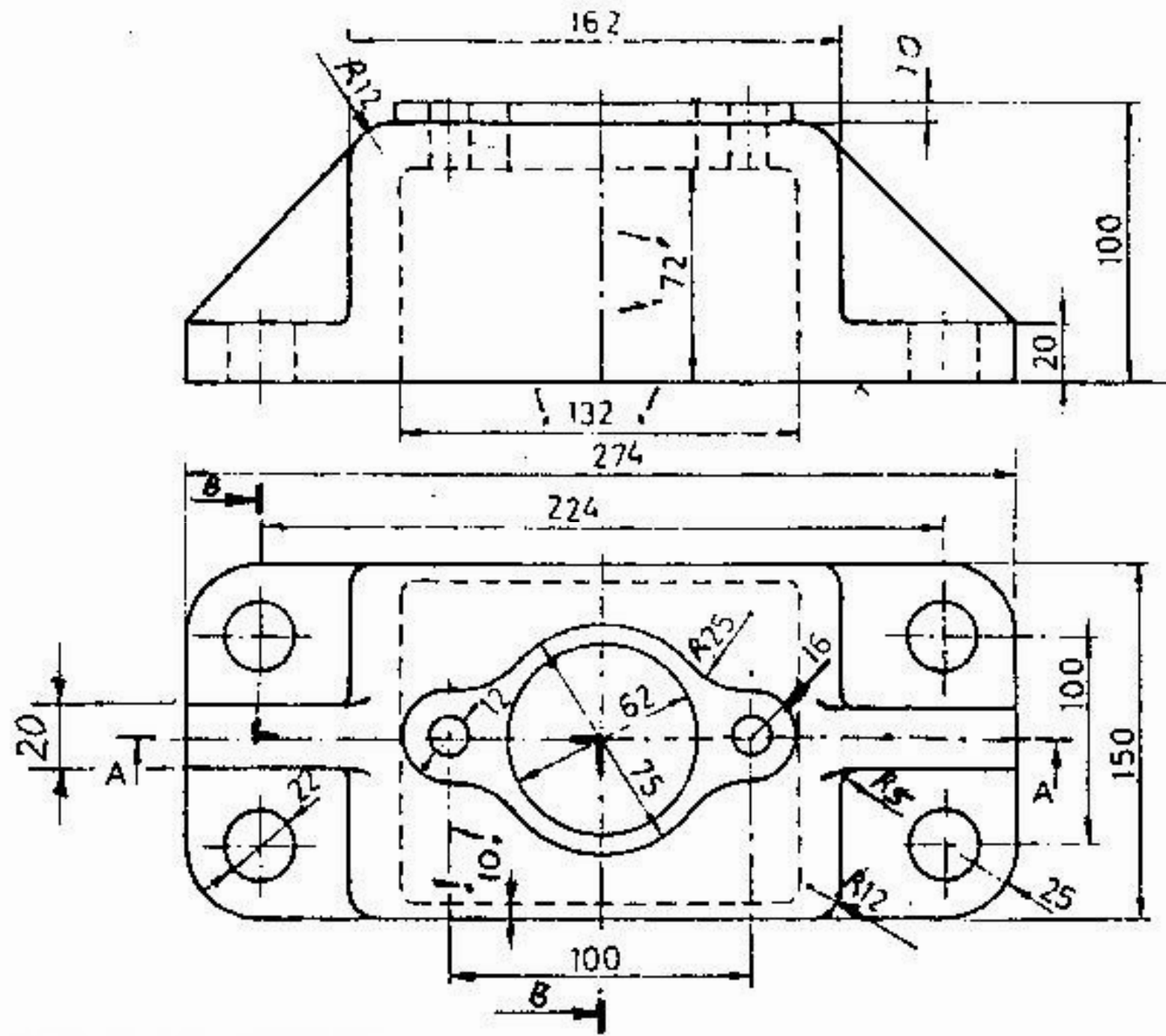


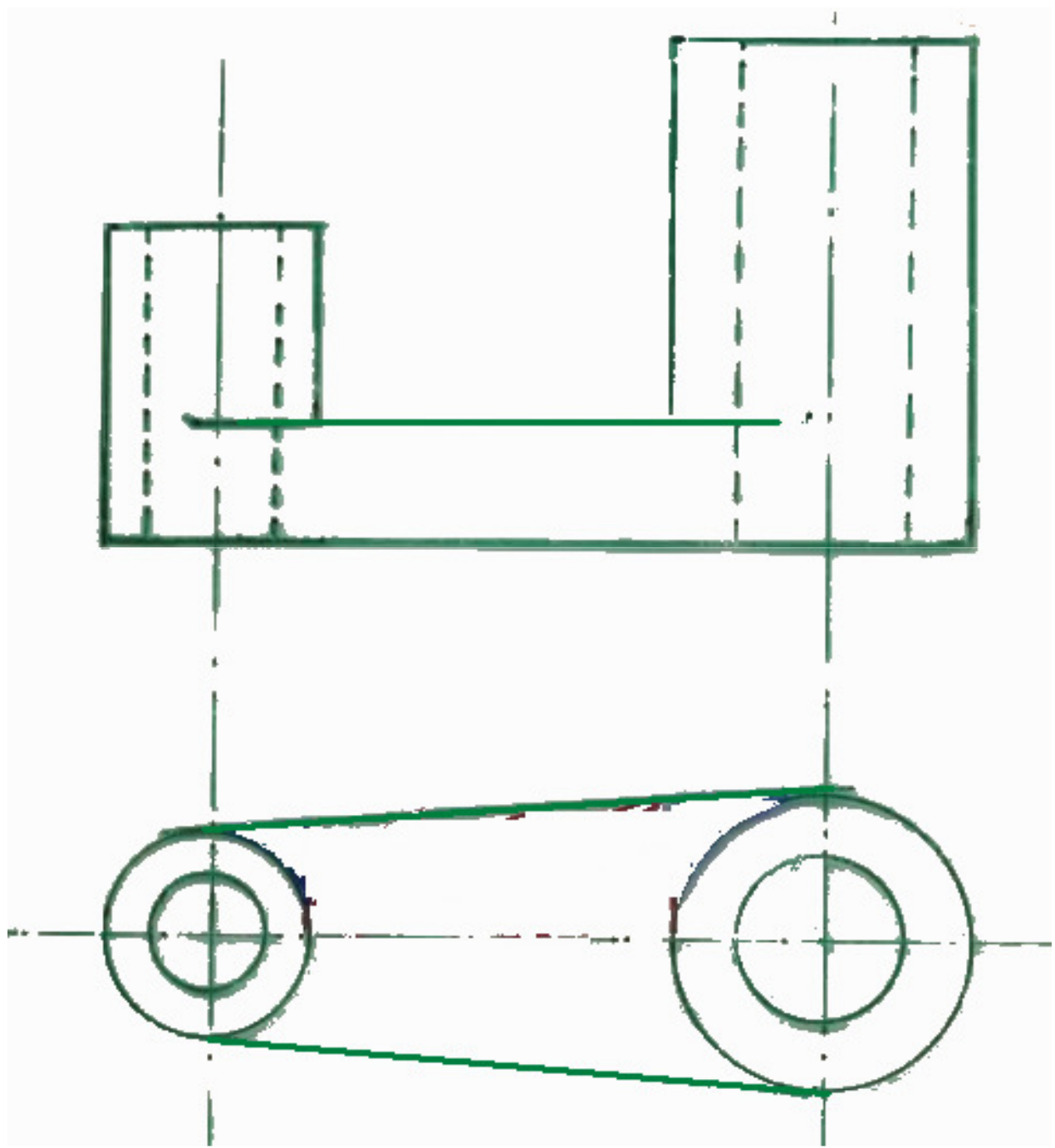
SECTIONAL VIEWS

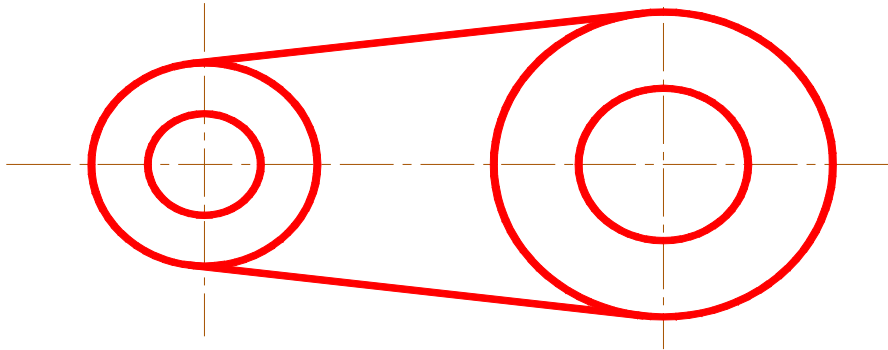
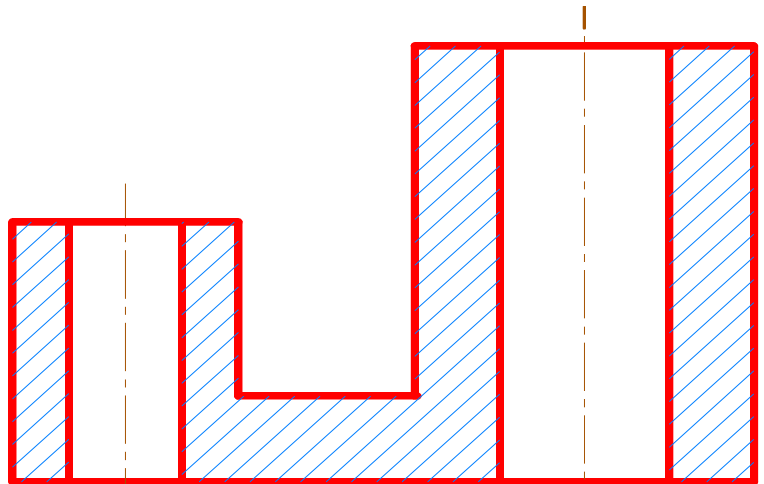


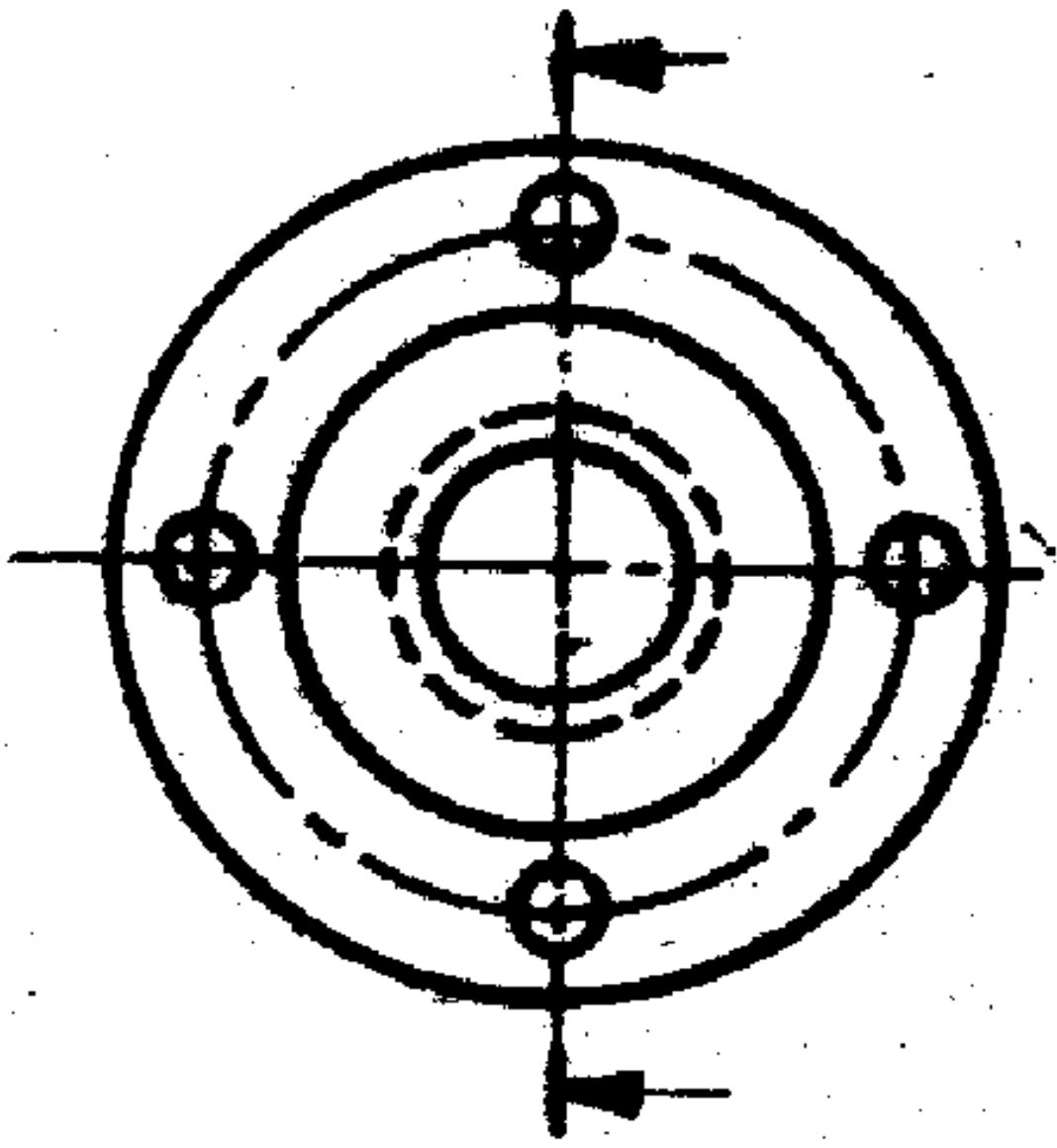
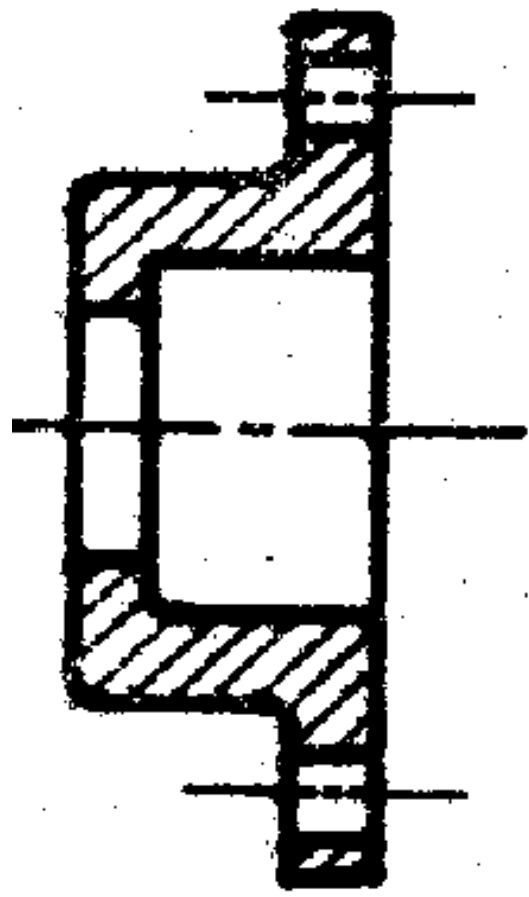
Tarih	Soyad,Ad	İmza

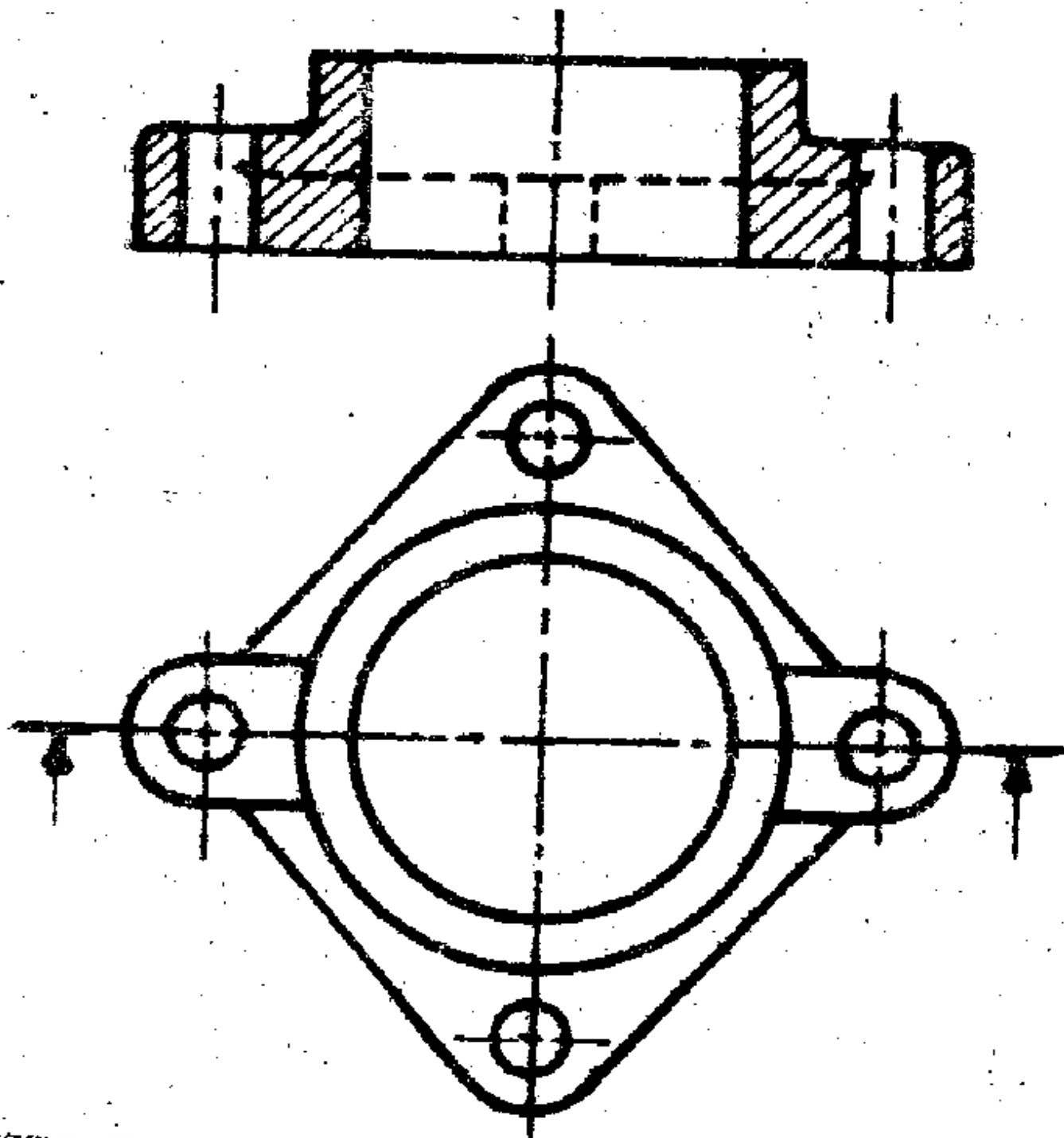
TOBB ETÜ
Mak 101 Gr.05

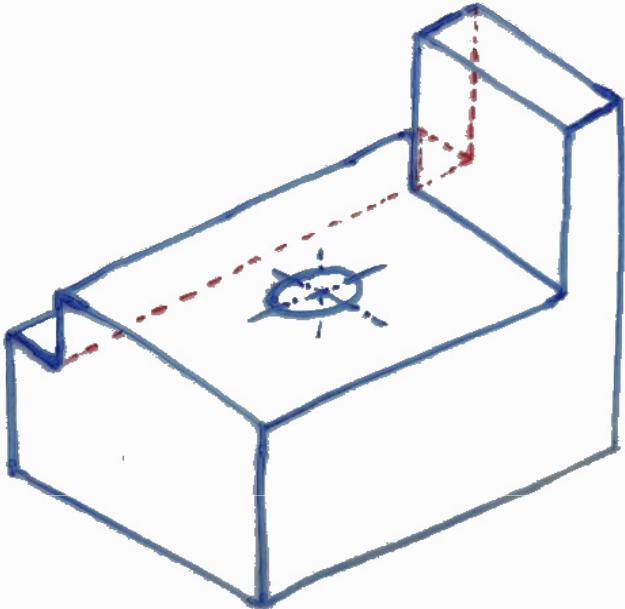
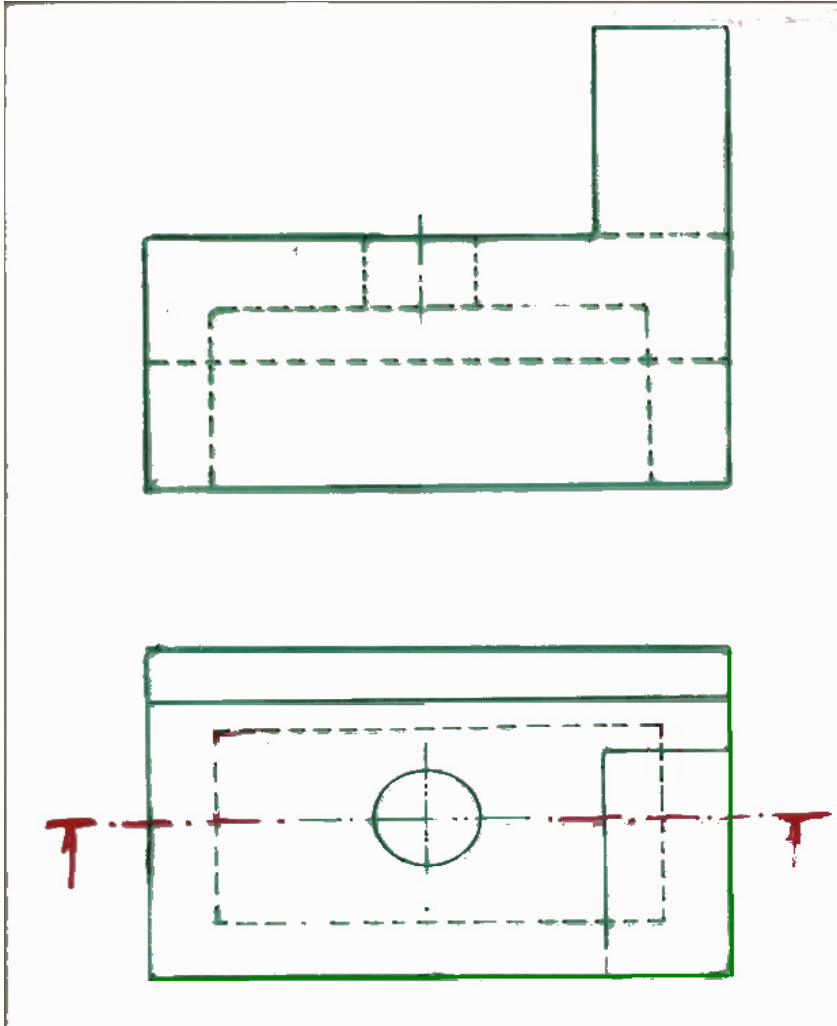


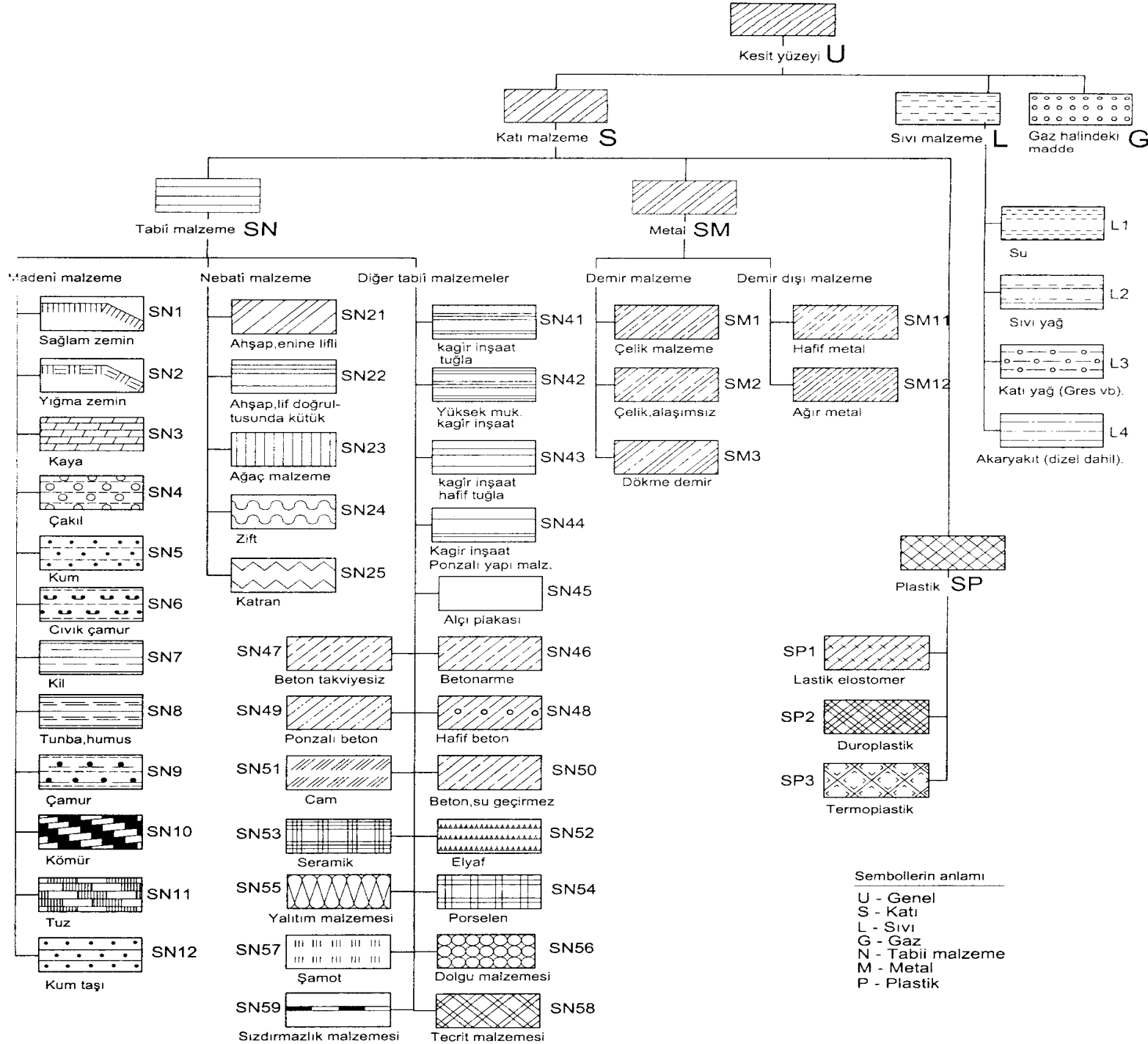


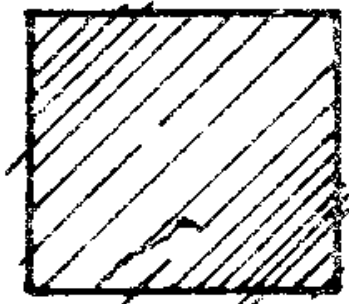




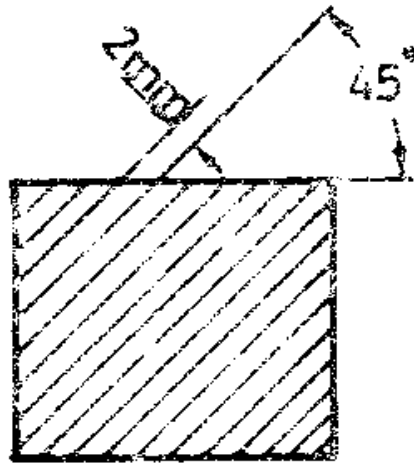








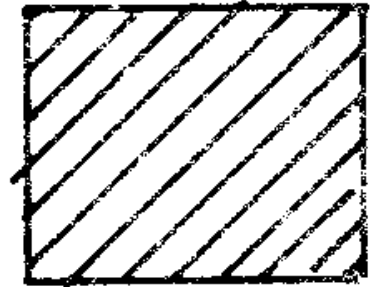
(a)
Incorrect



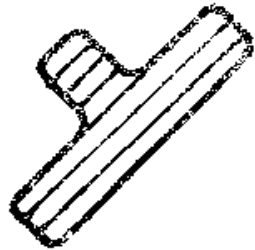
(b)
correct



(c)
Incorrect



(d)
Incorrect



(e)
poor practice



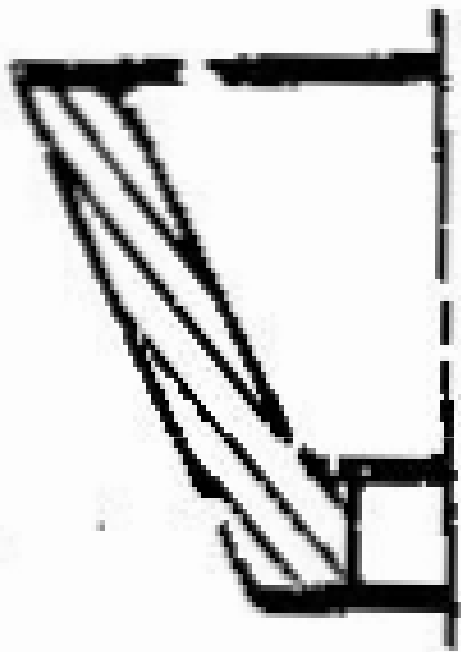
(e)
preferred



(f)
Poor practice



(f)
Preferred.



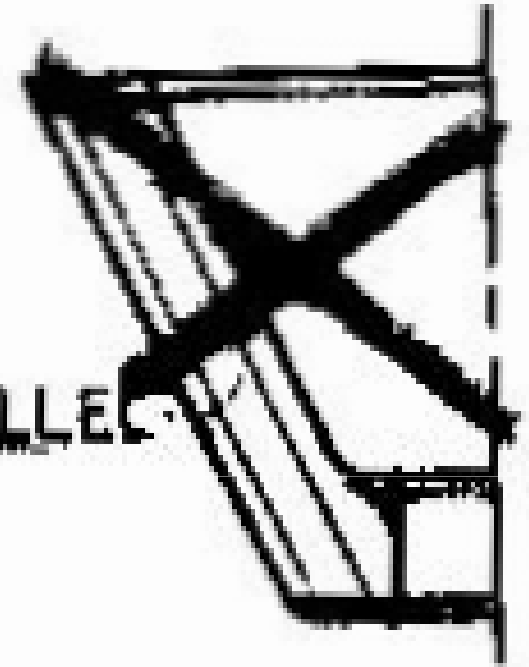
A. PREFERRED

PERPENDICULAR
LIVE LINE



B. POOR

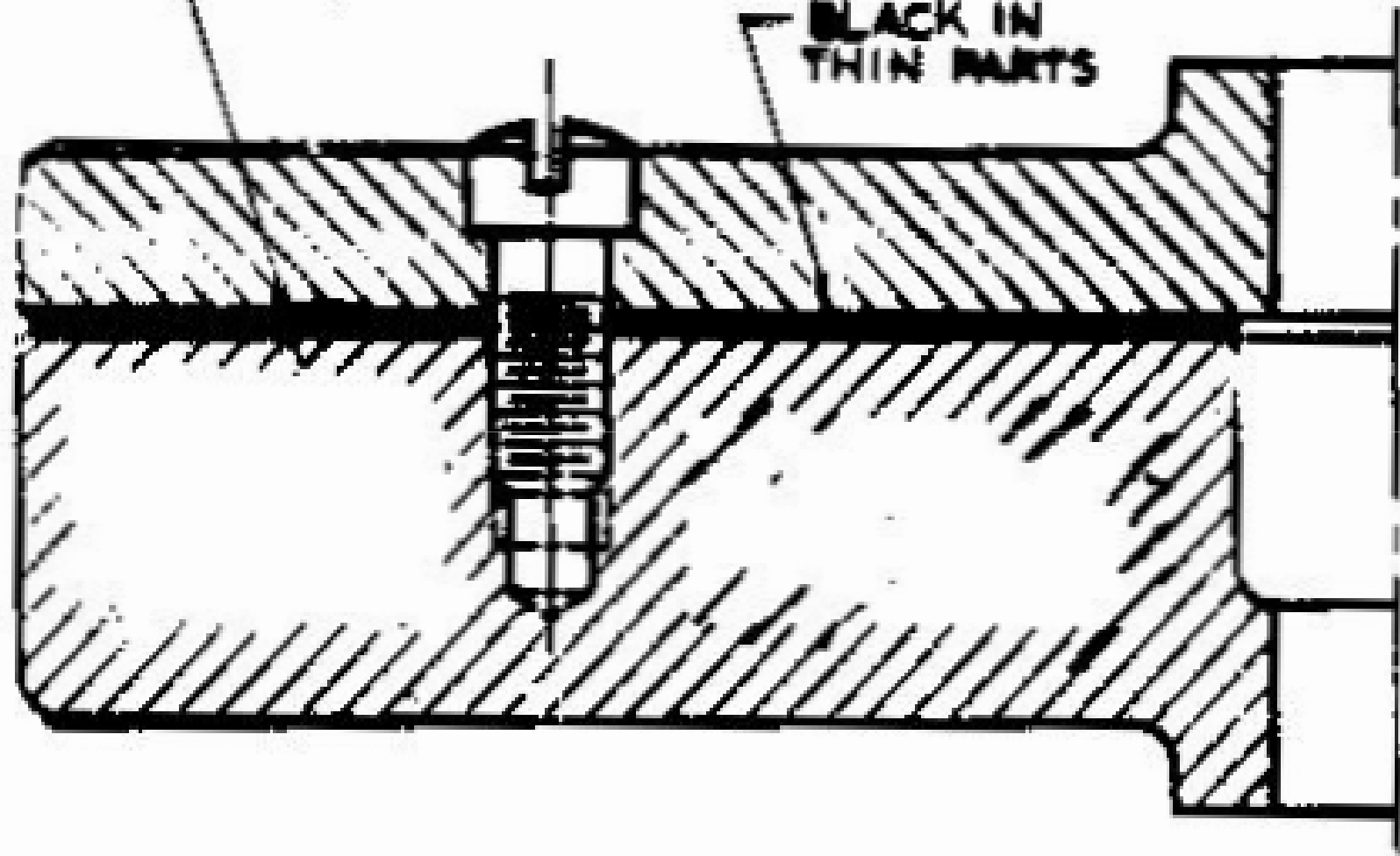
PARALLEL

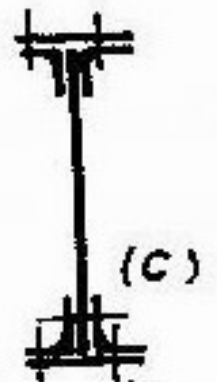
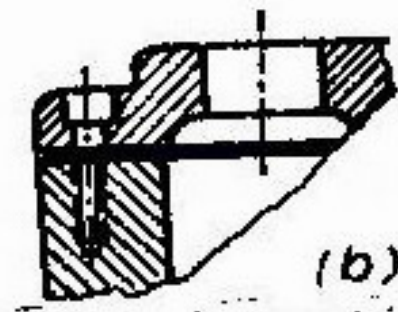
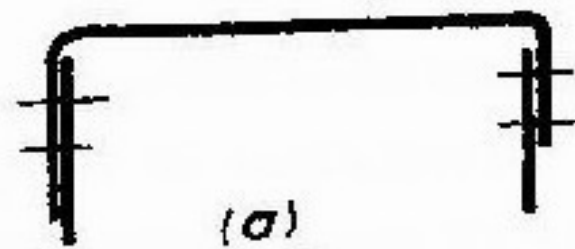
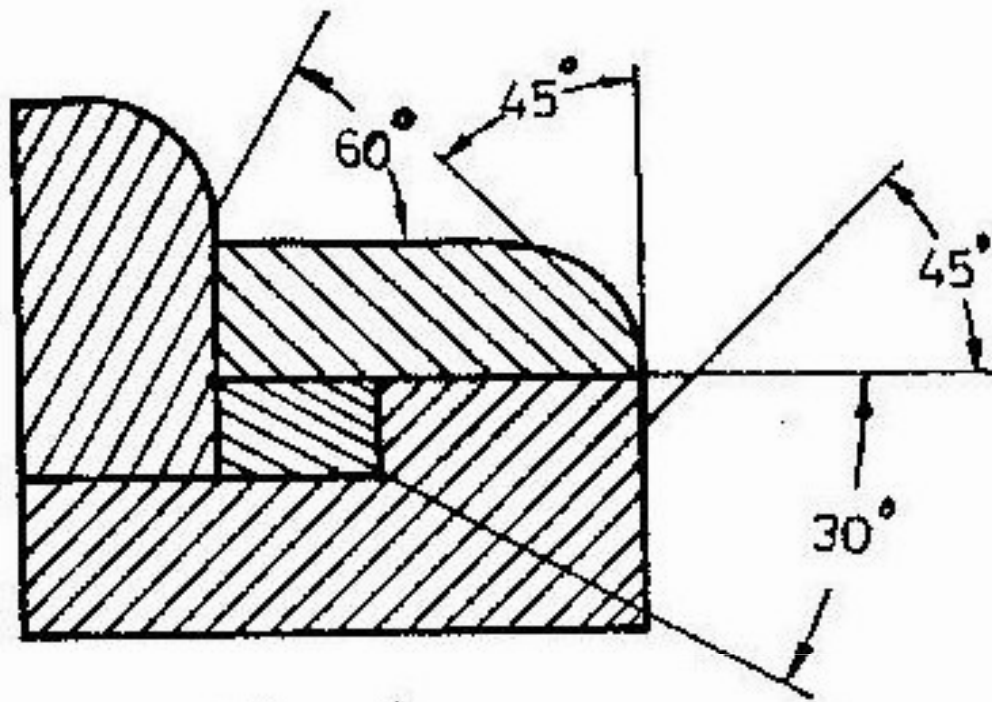


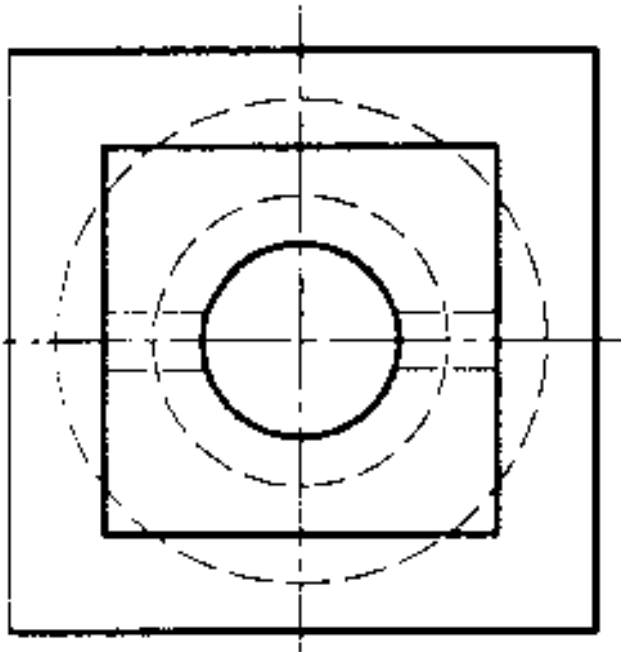
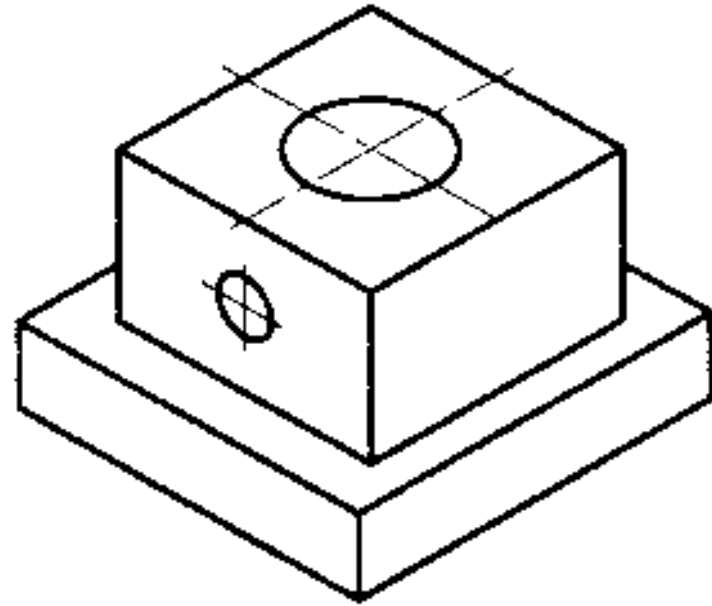
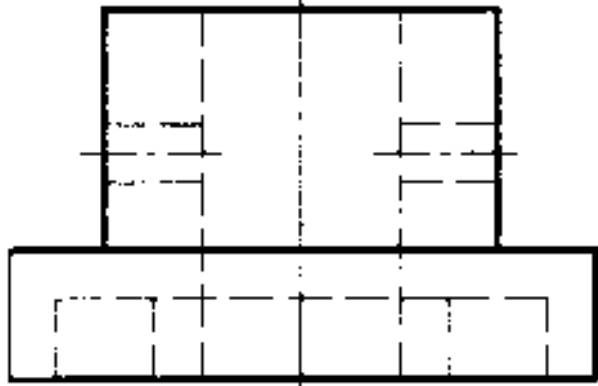
C. POOR

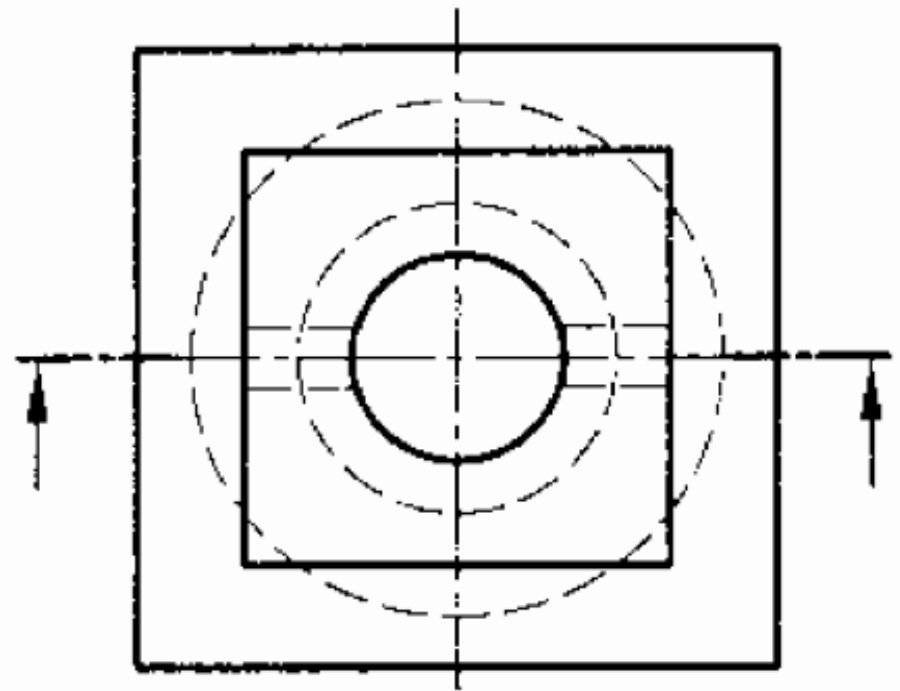
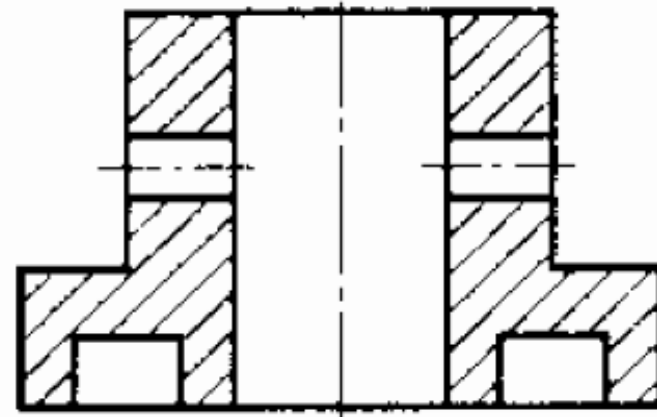
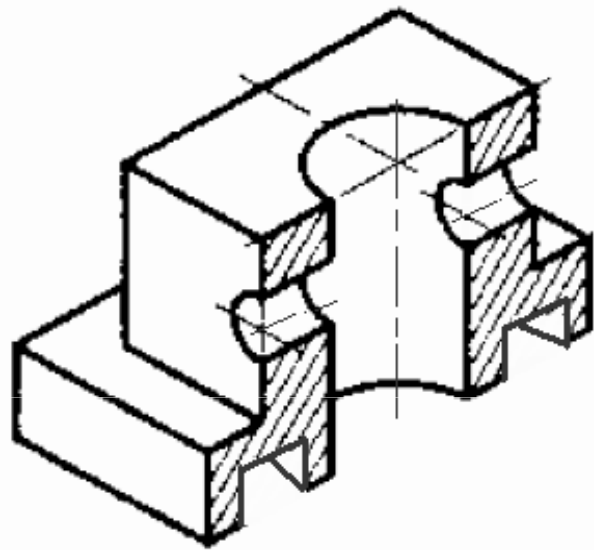
OUTLINE SECTIONING
OF LARGE PARTS

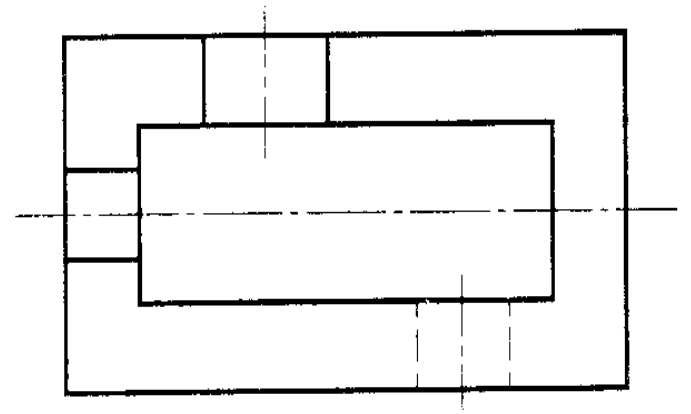
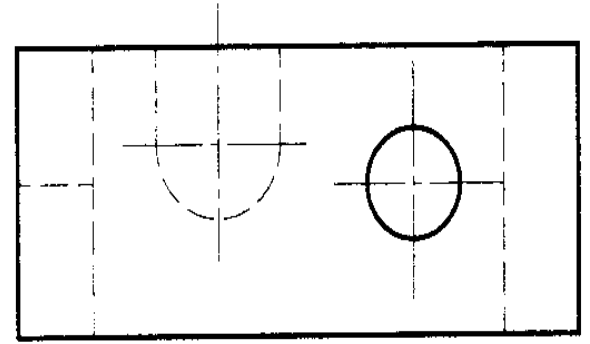
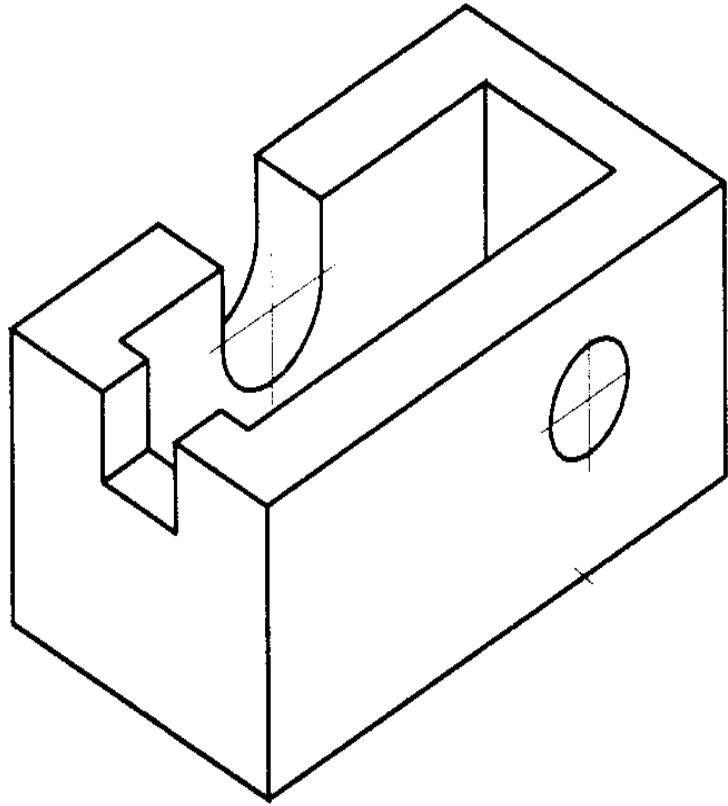
BLACK IN
THIN PARTS

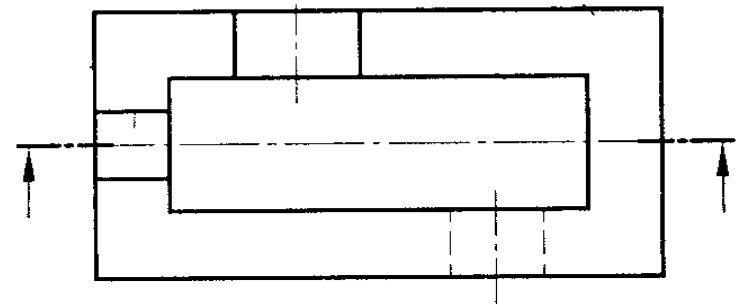
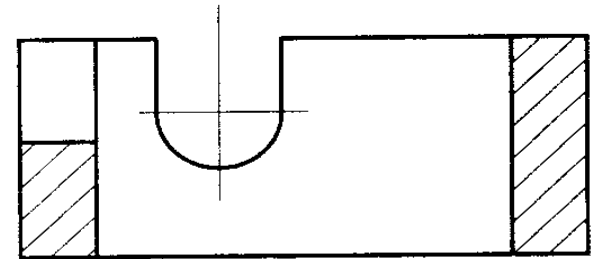
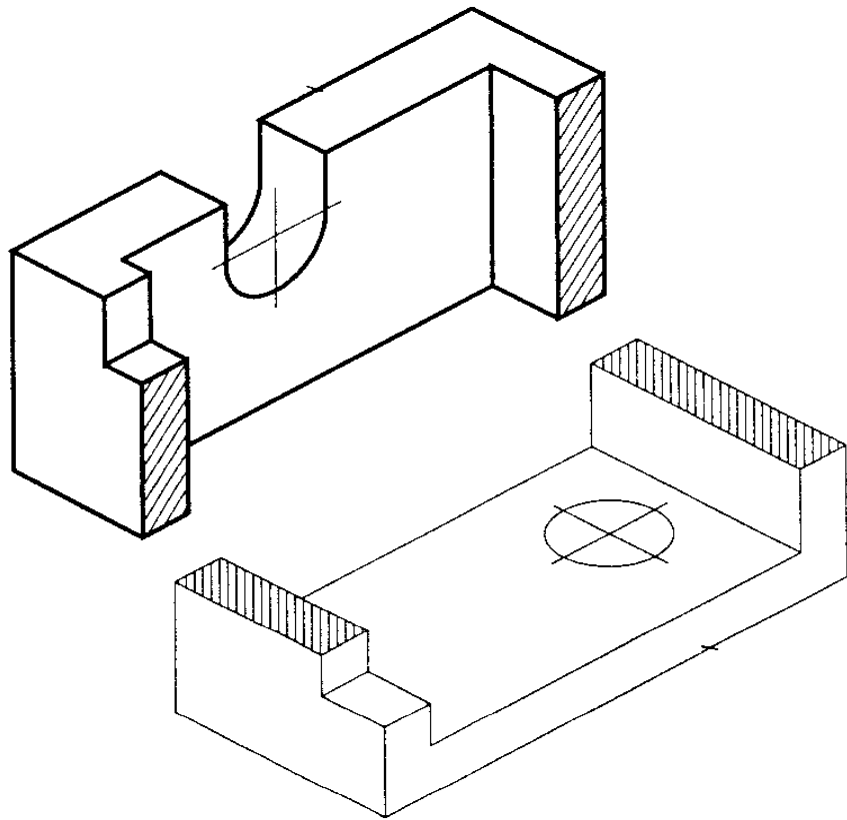


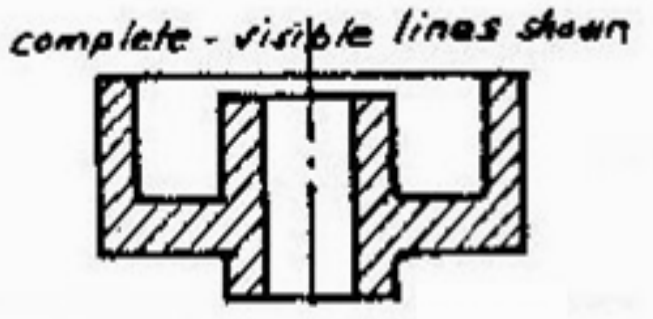
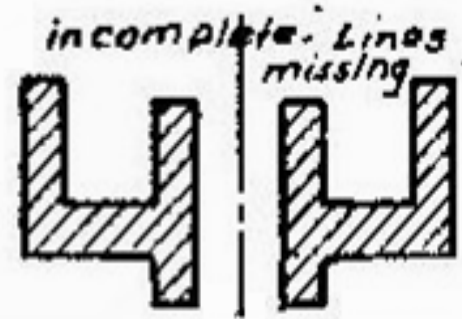
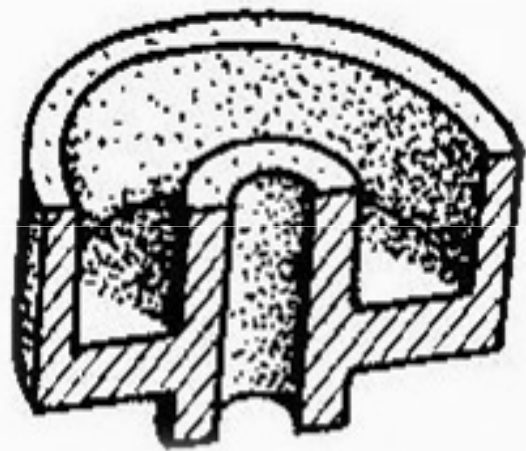




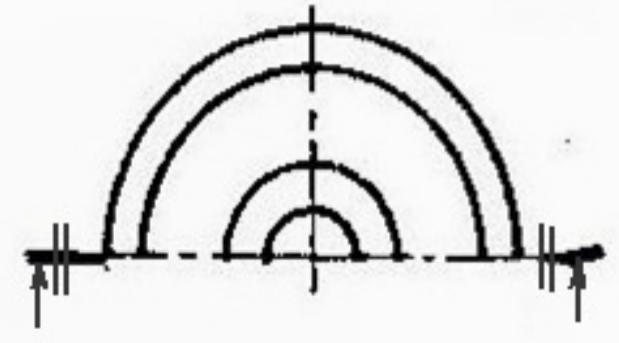
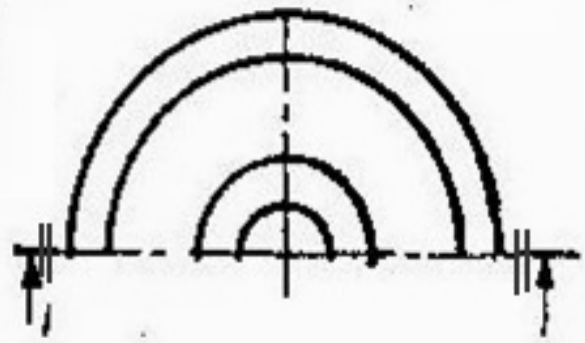




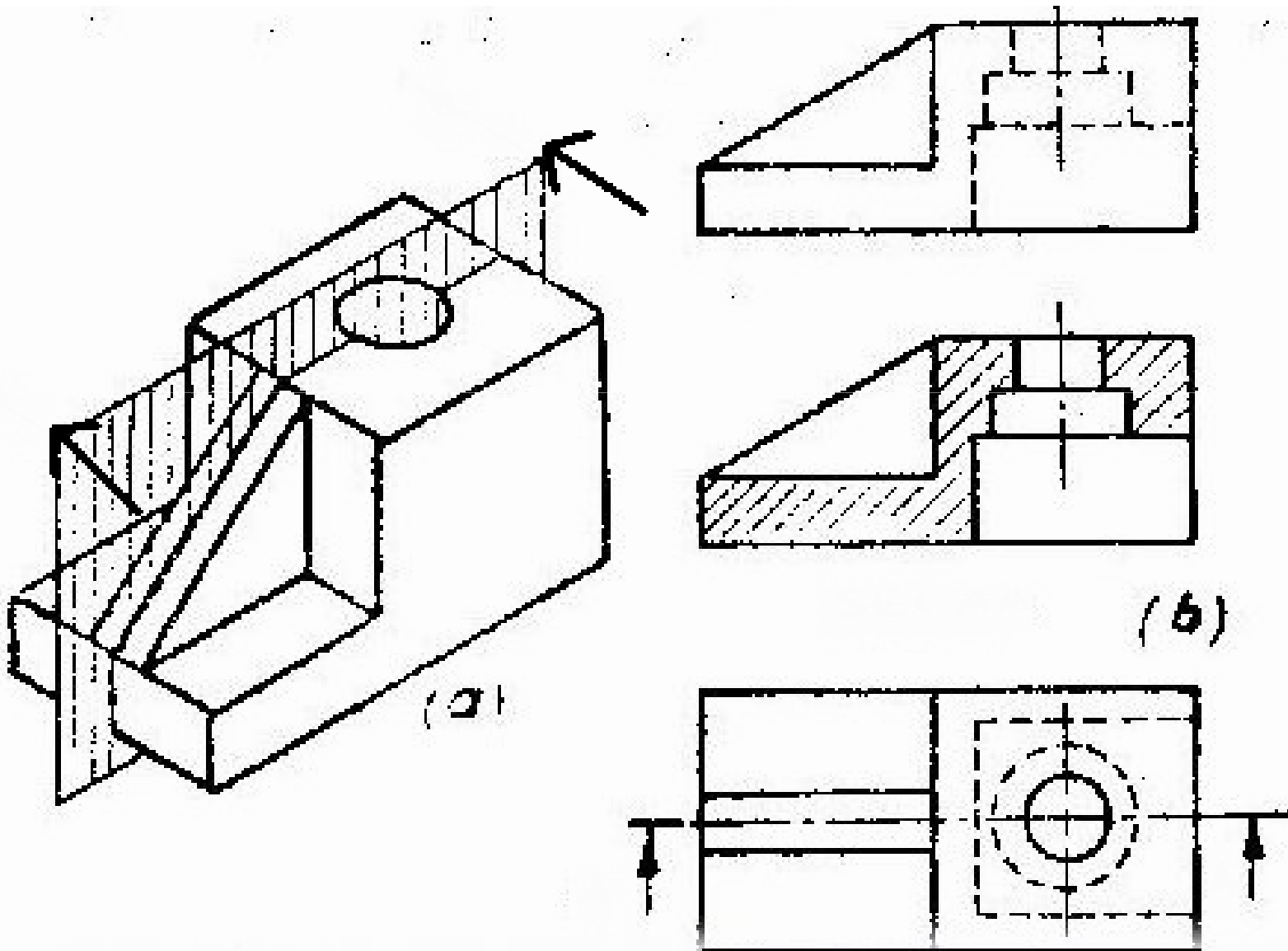


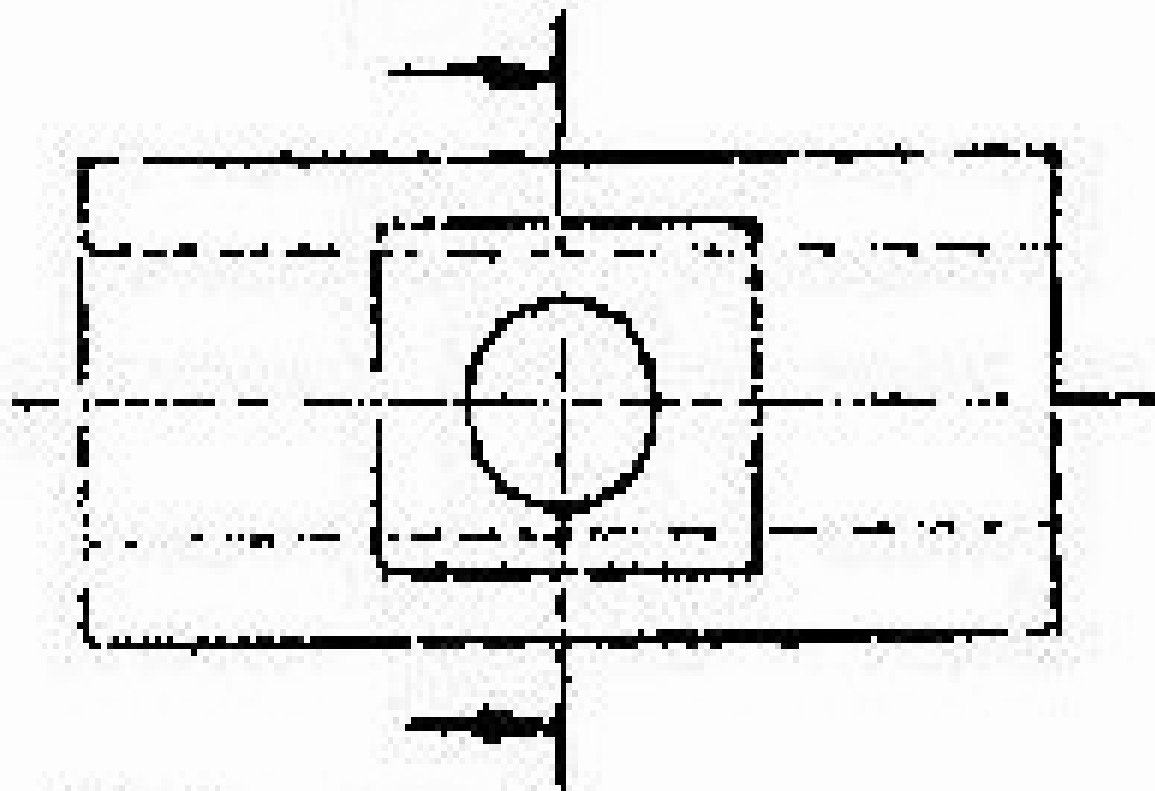
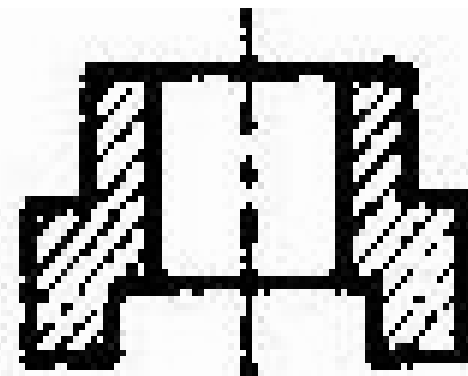
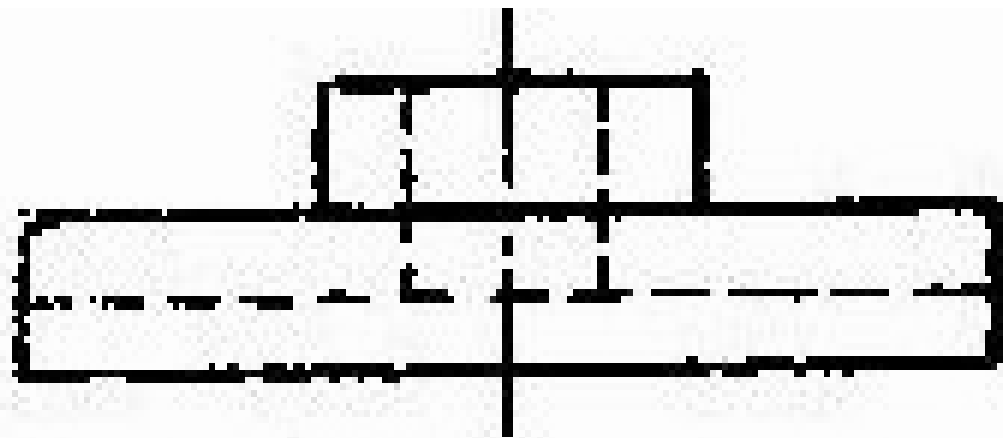


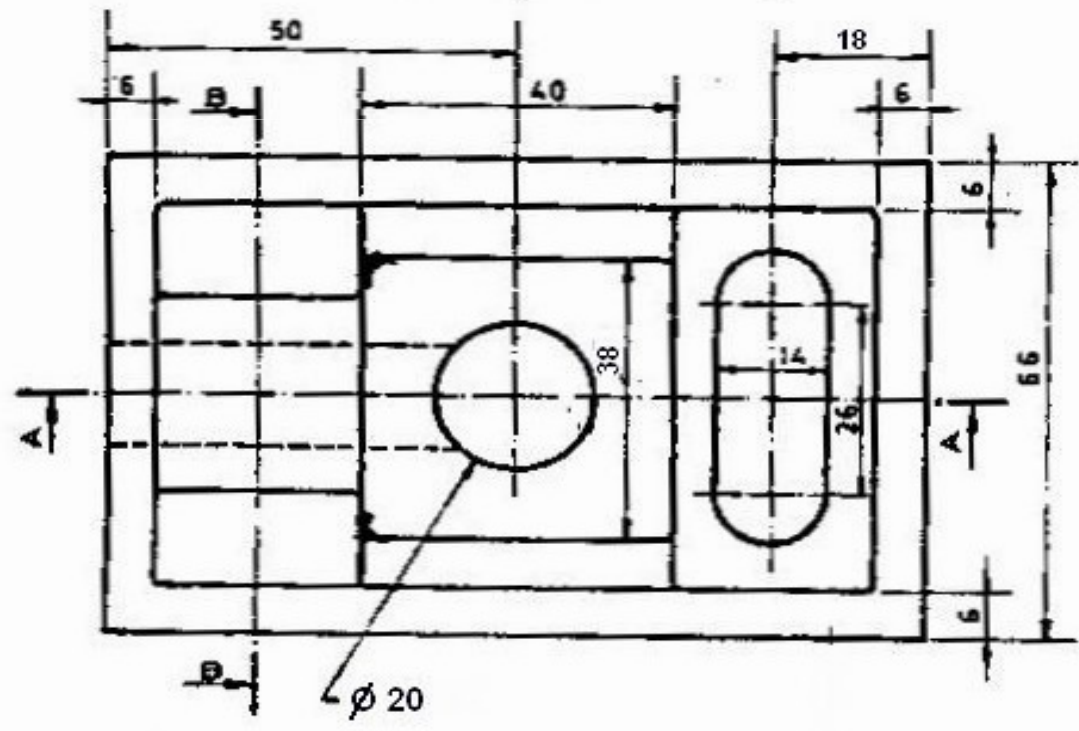
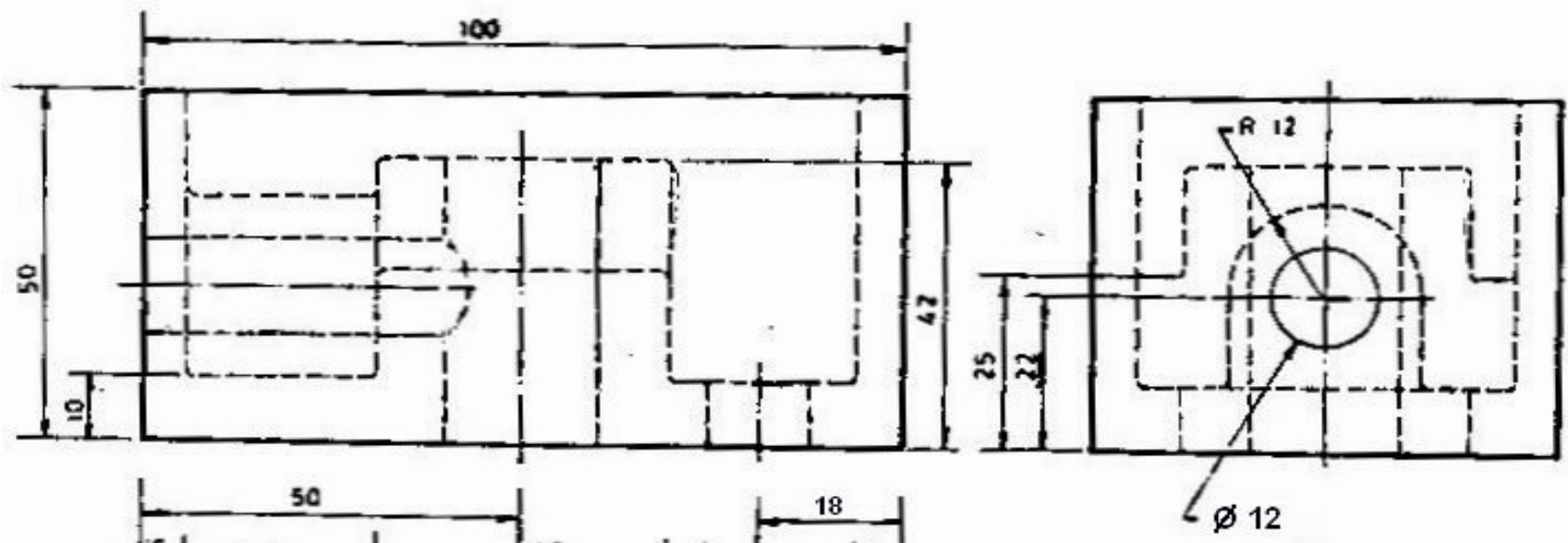
Sectioned area:



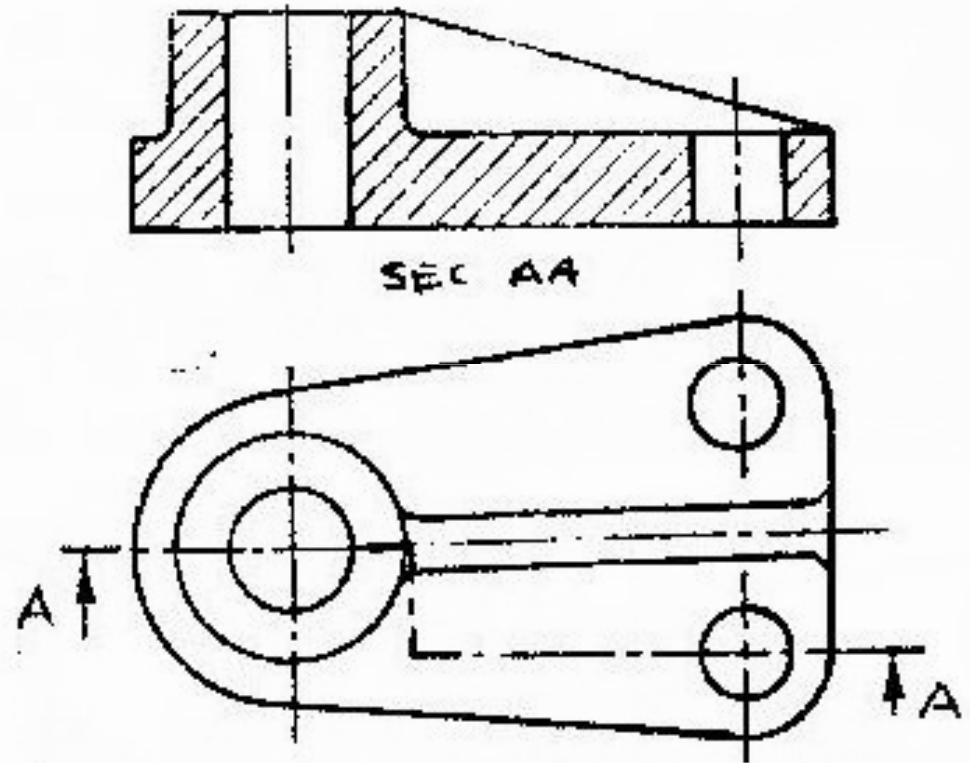
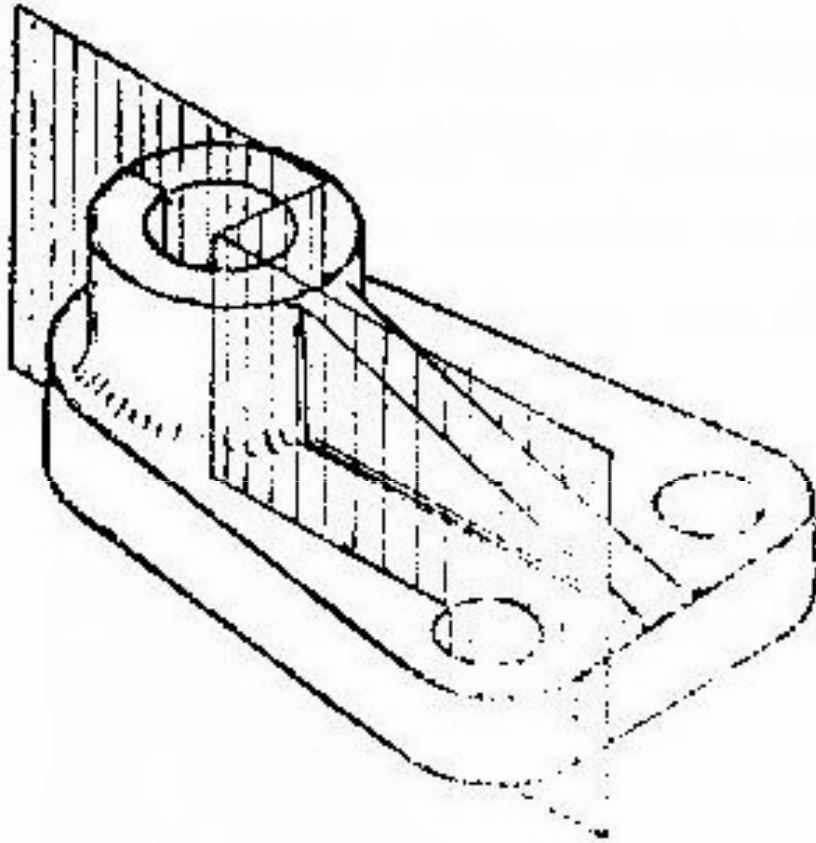
Full Sectional View



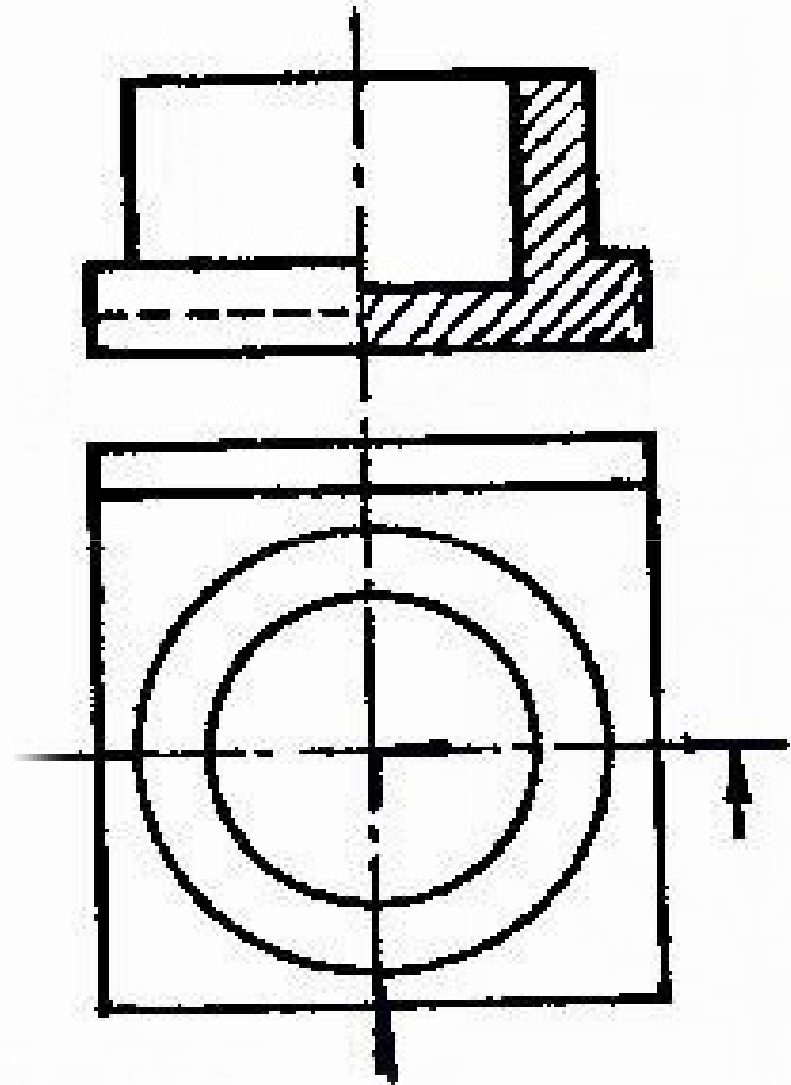
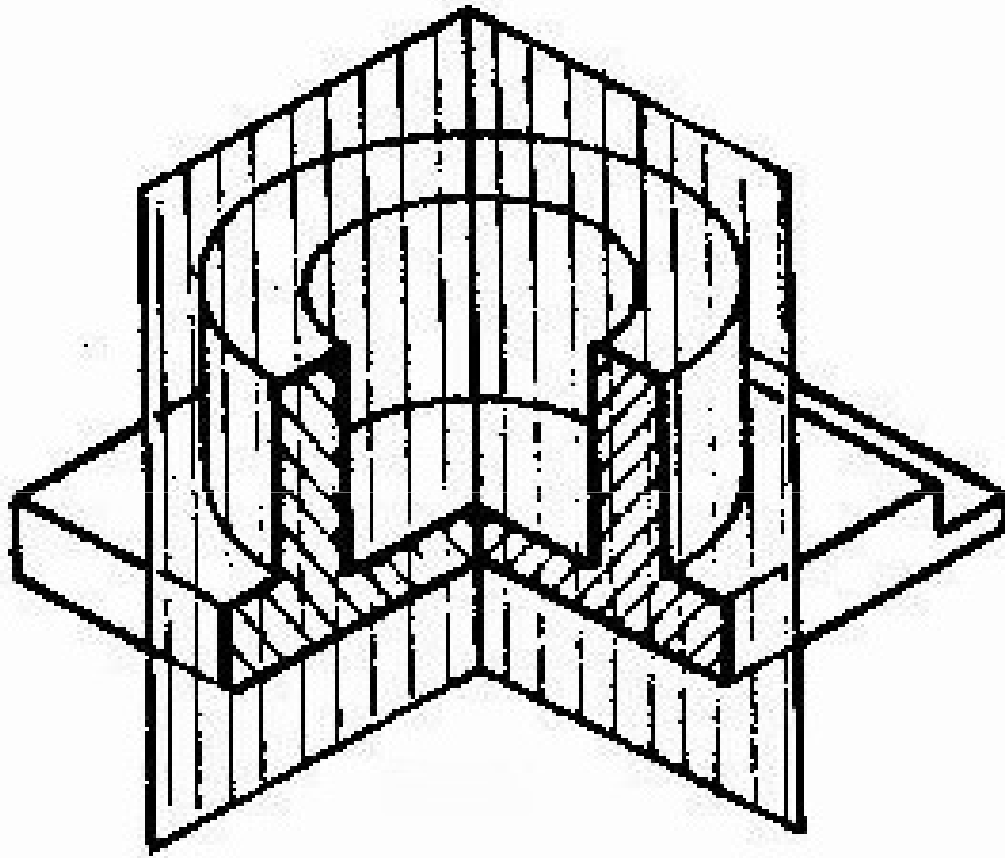


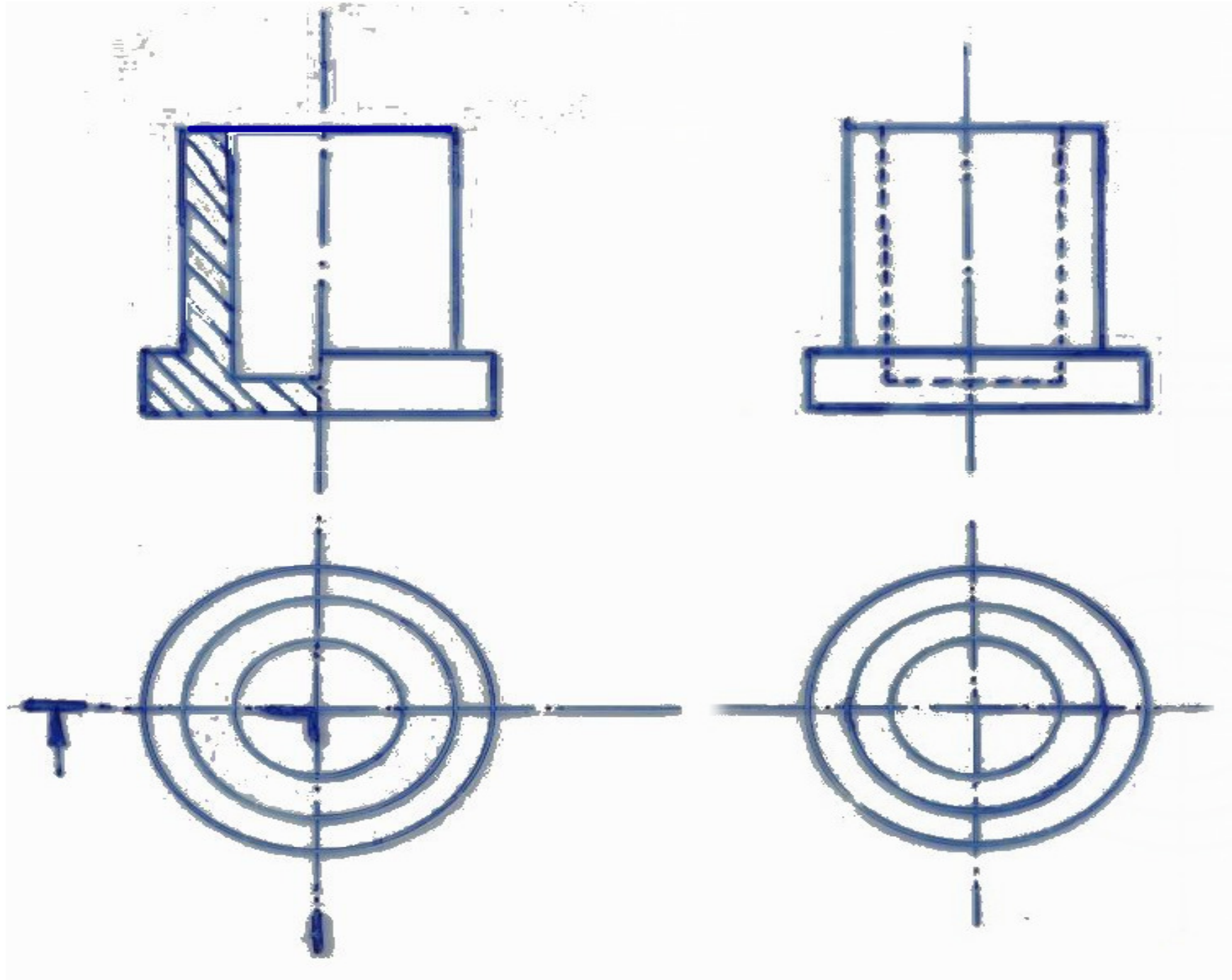


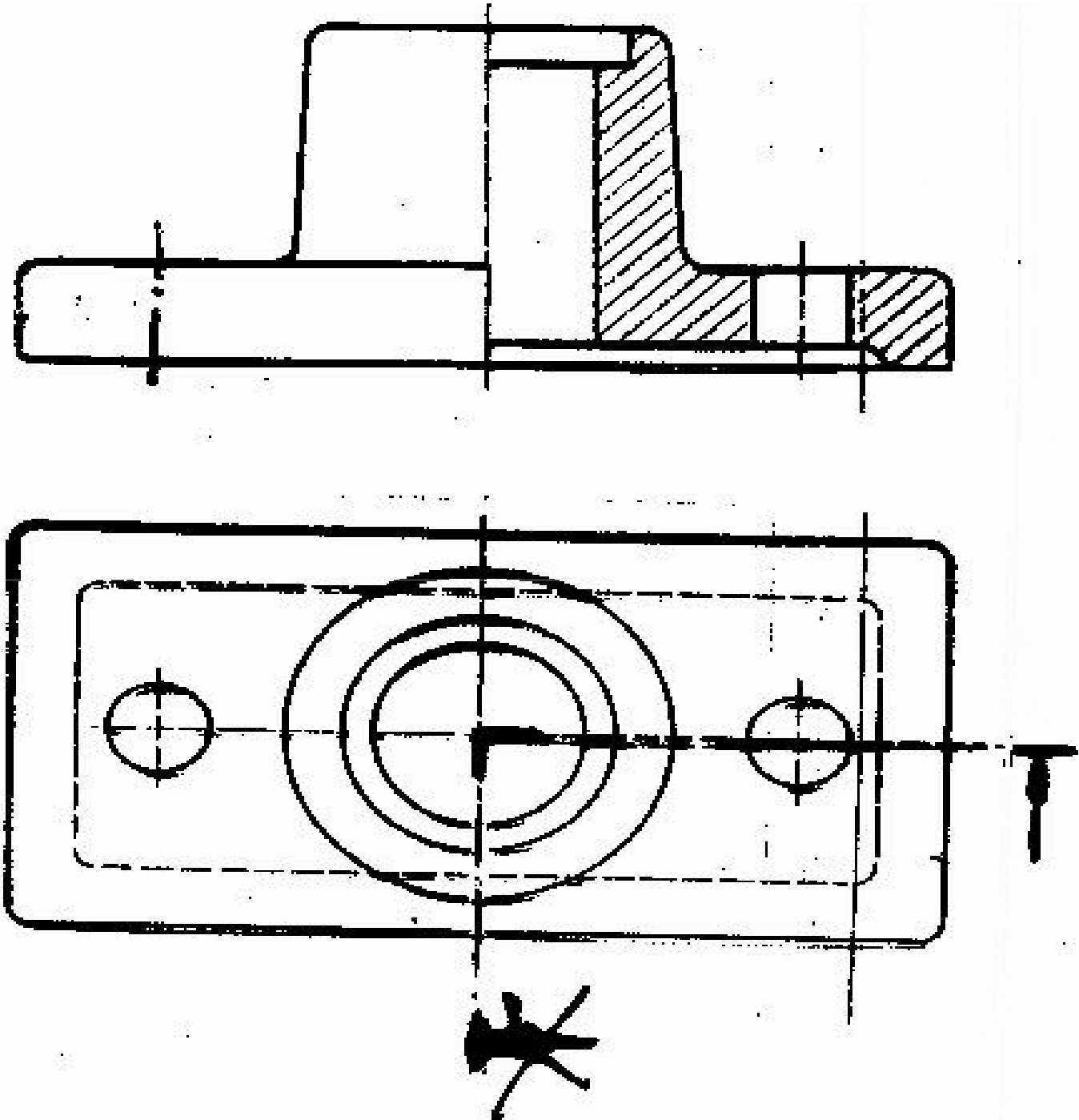
Offset Sectional View

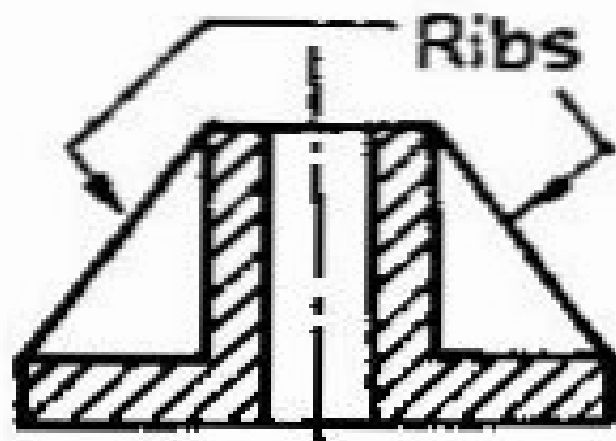


Half Sectional View

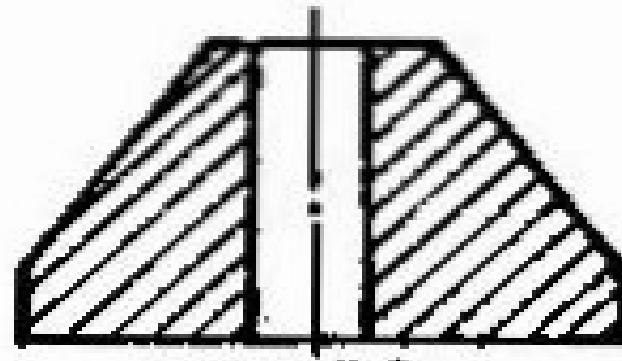




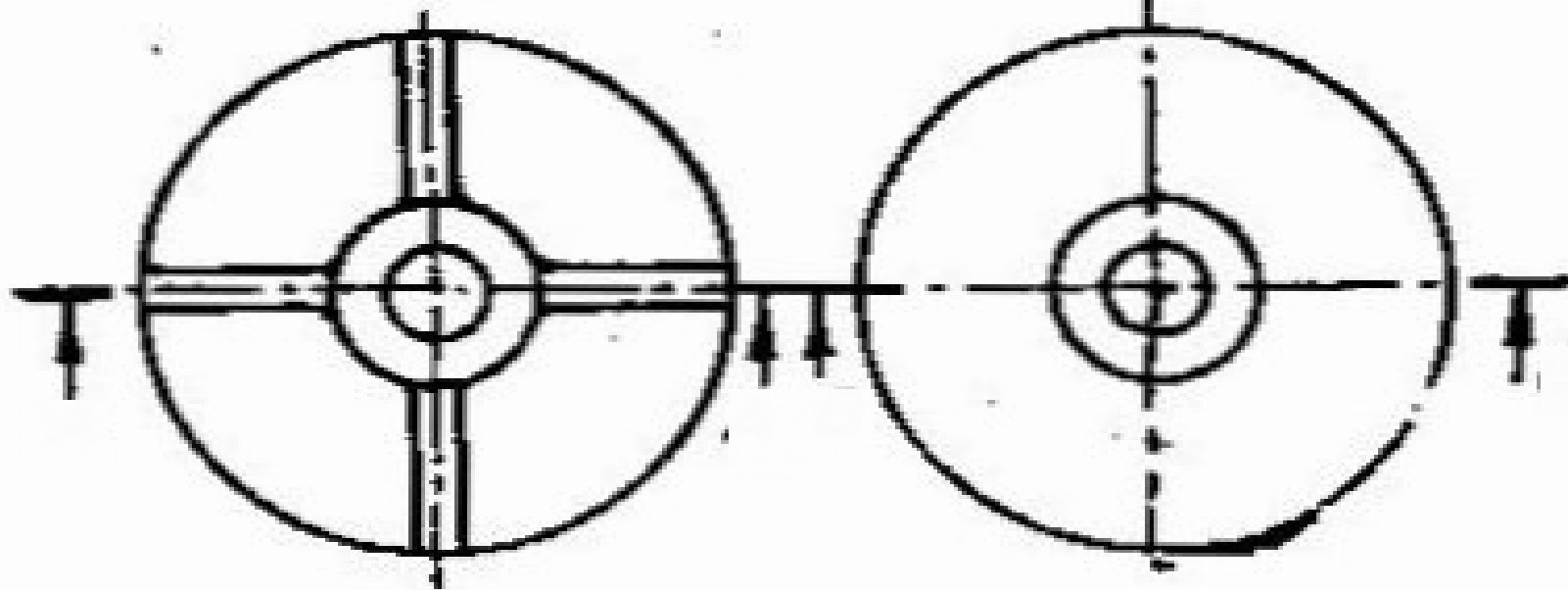


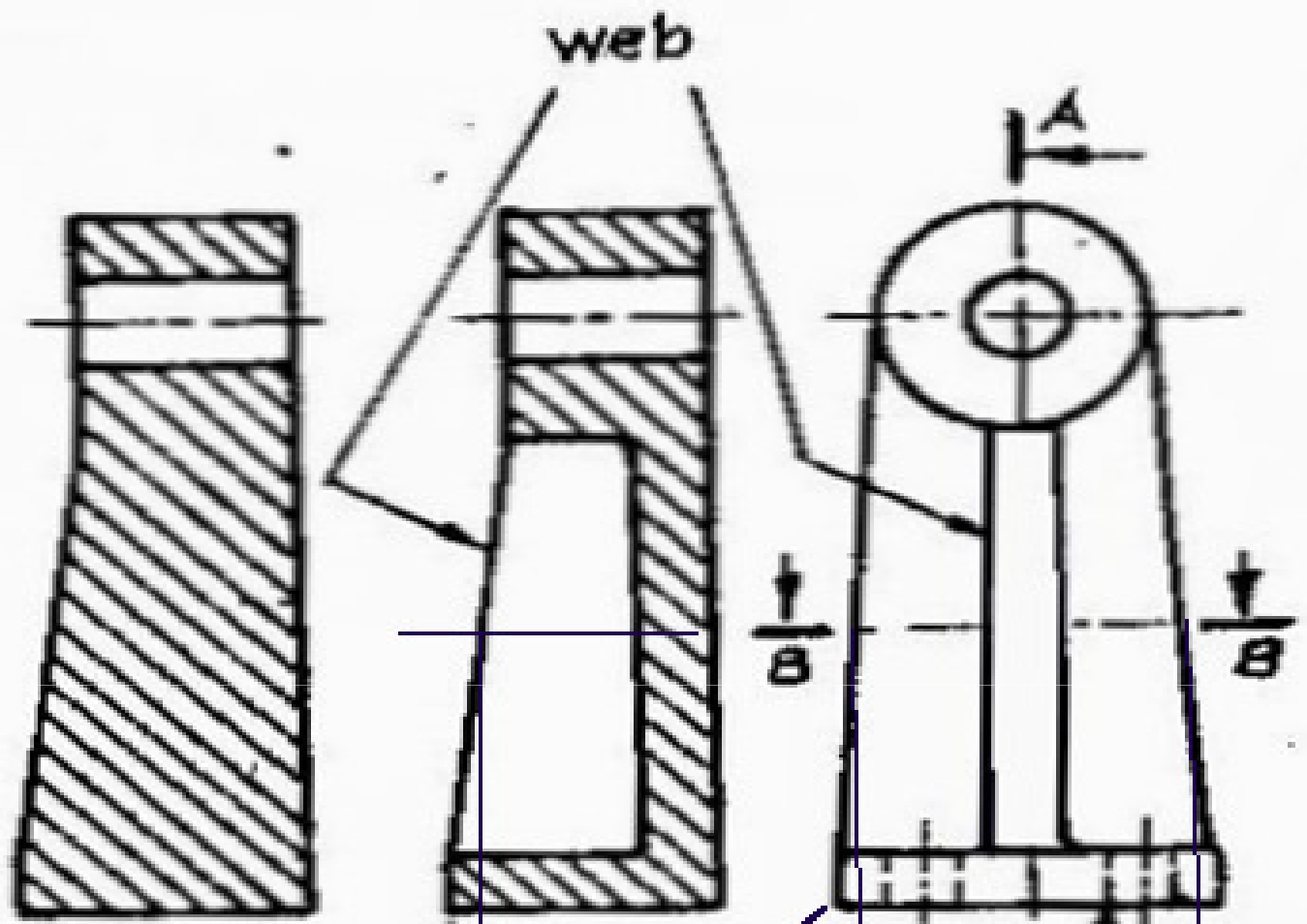


(a)



(b)

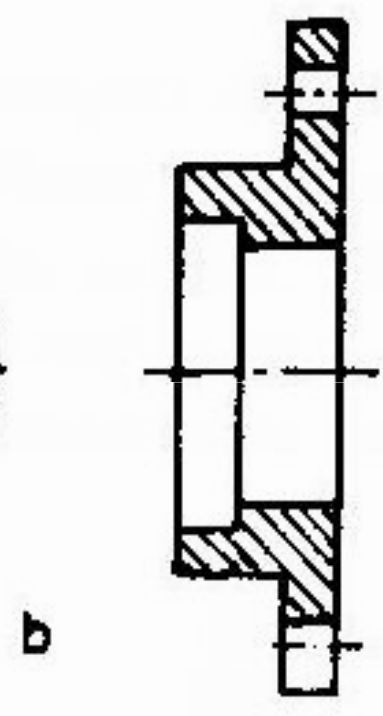
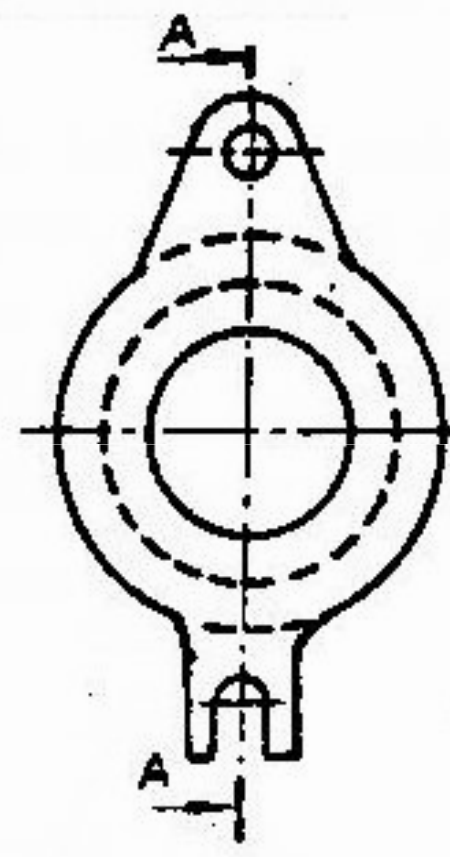
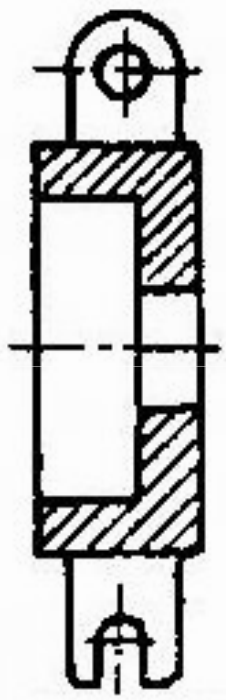
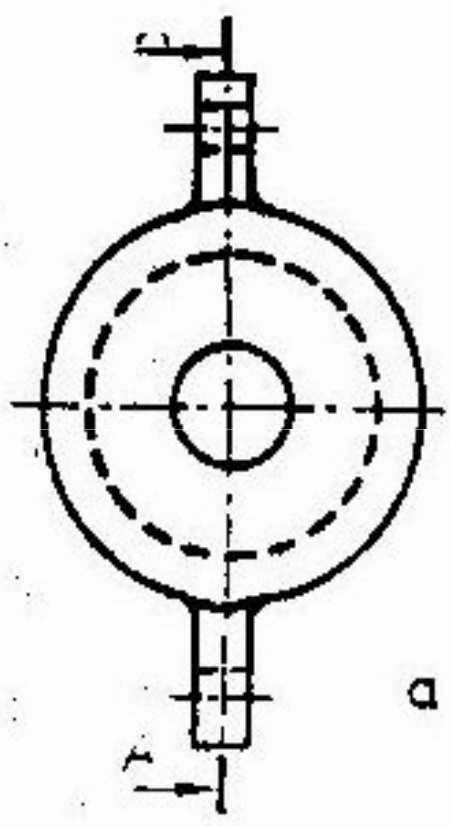


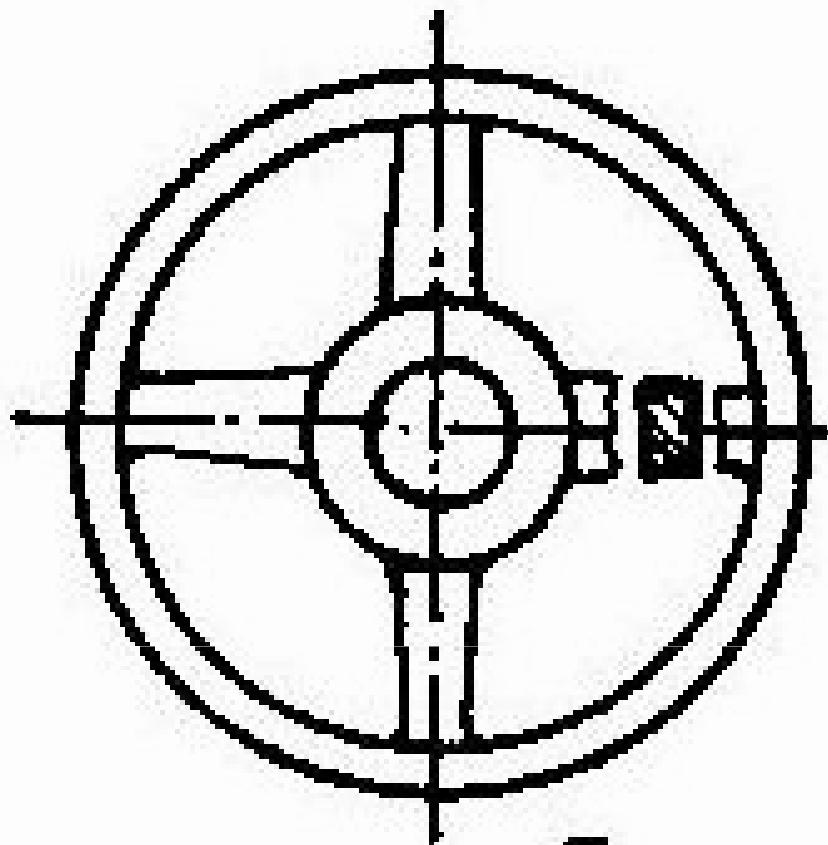


(b) Incorrect. (a) correct.
 Sec AA

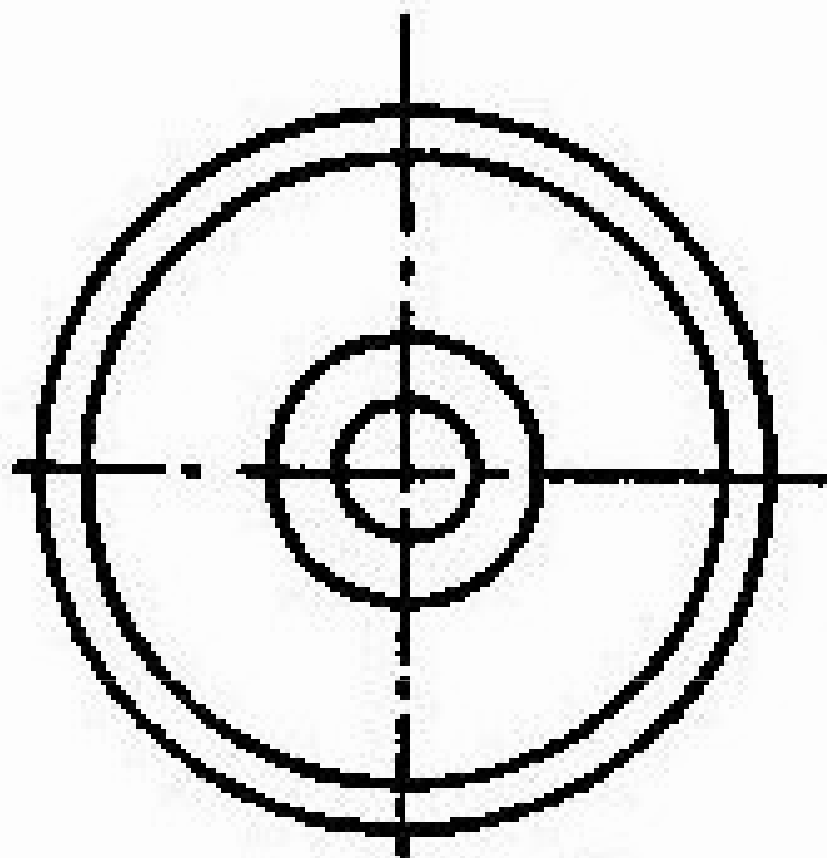
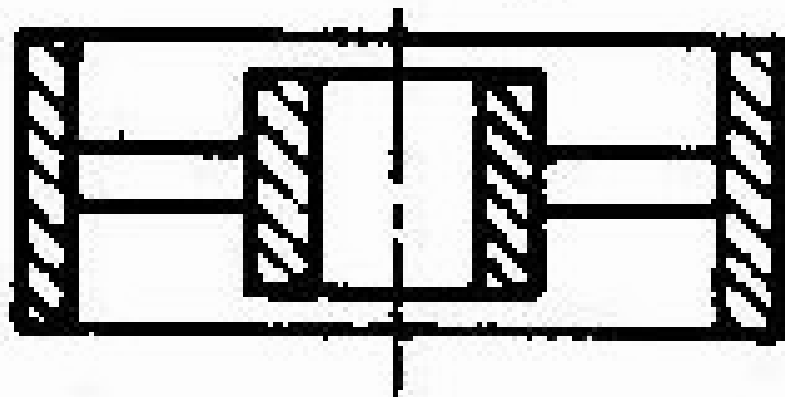
Webs in section

Sec BB
 (c) correct

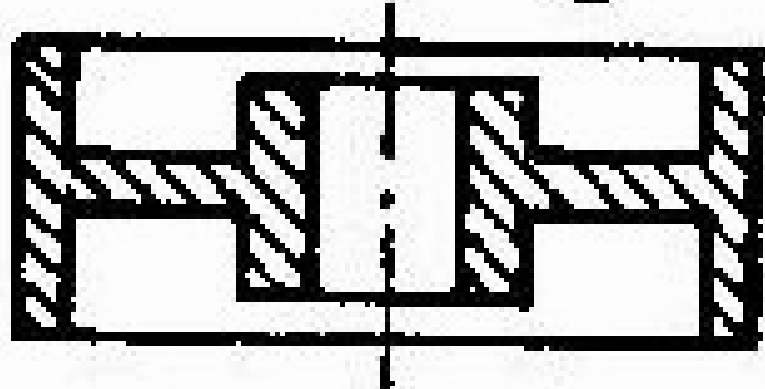


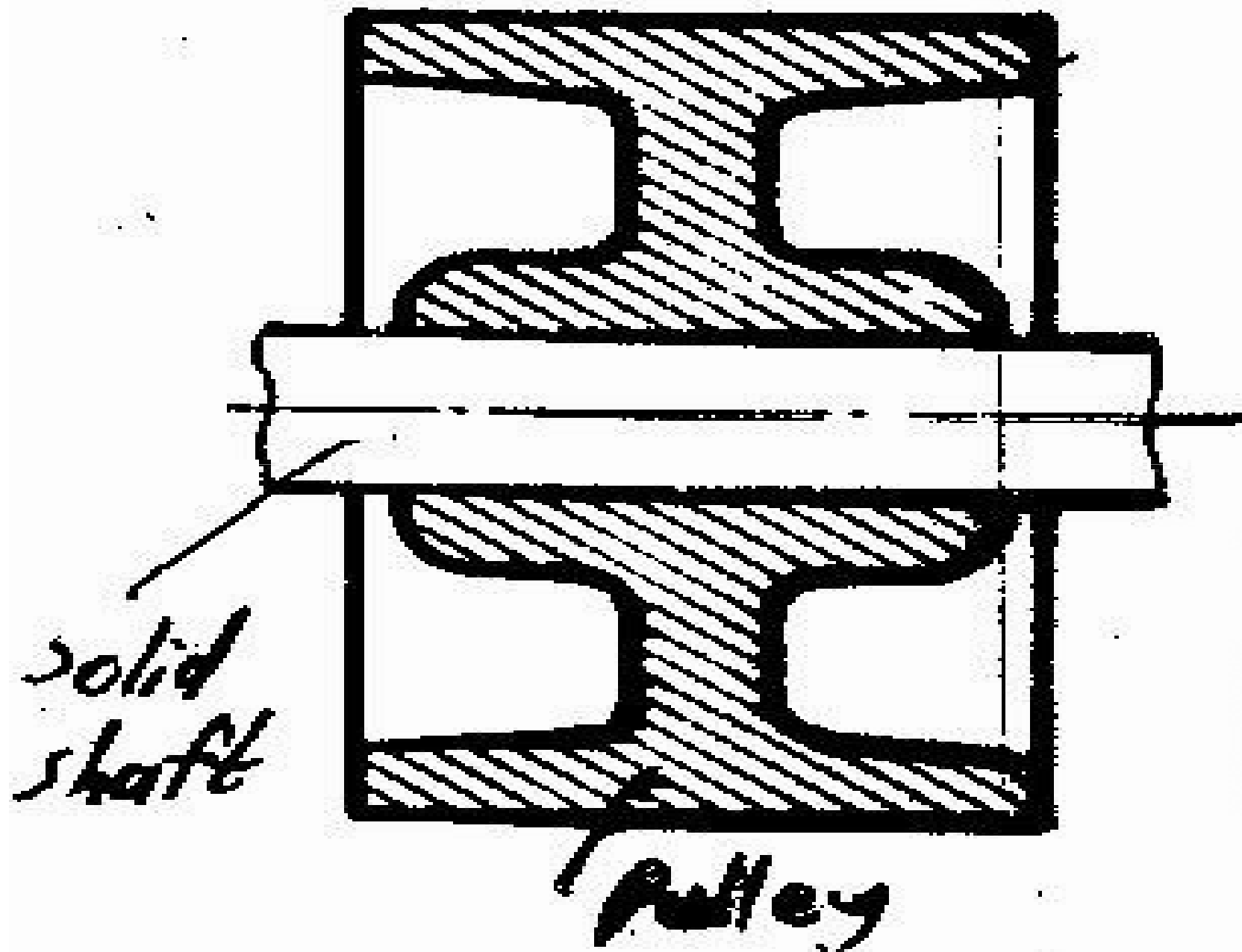


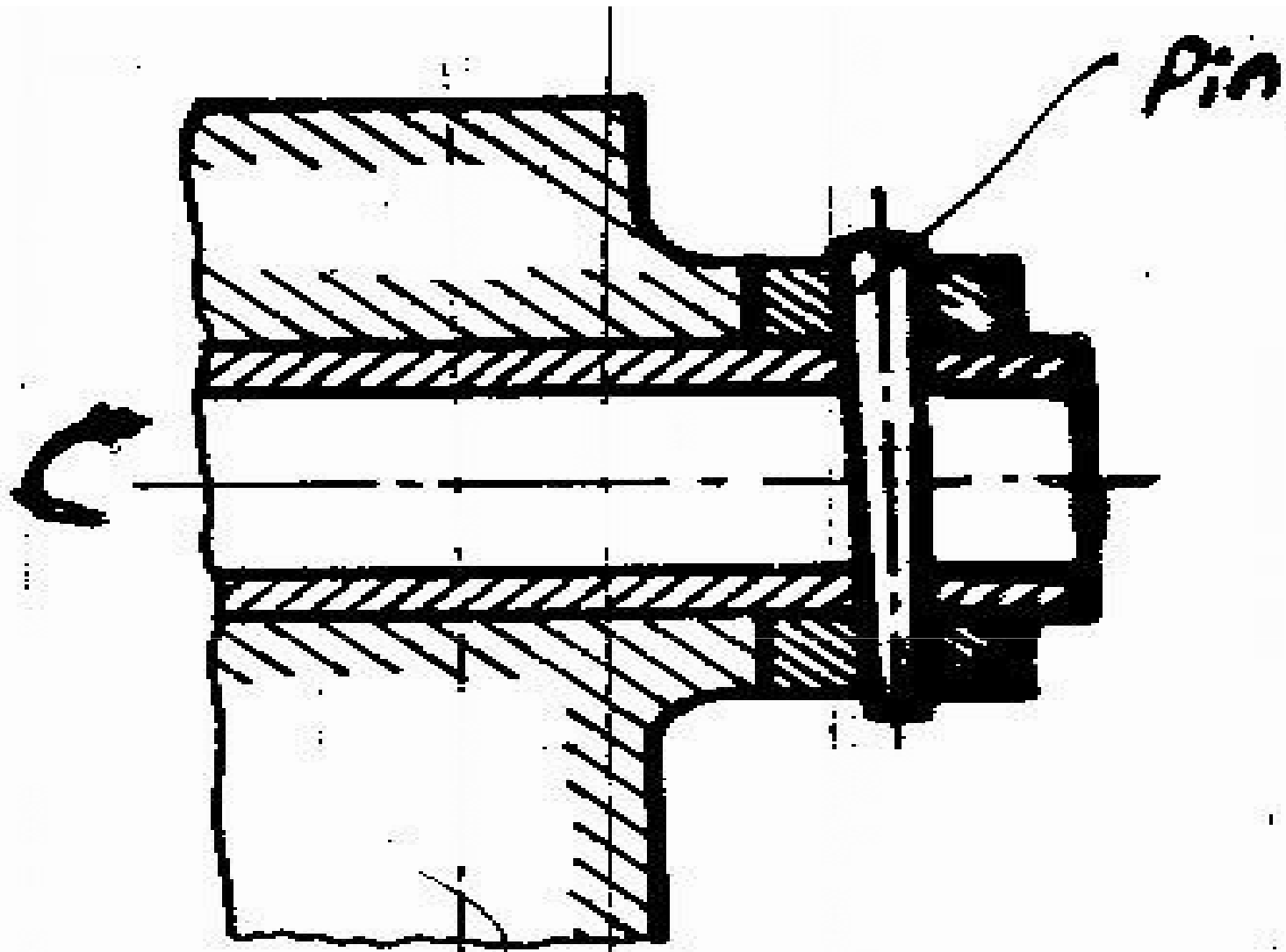
a



b

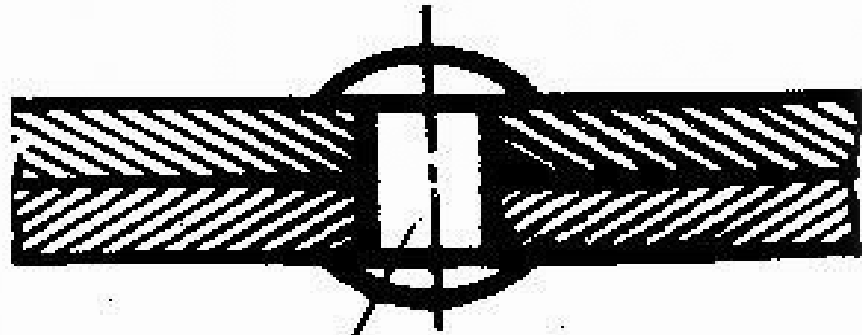




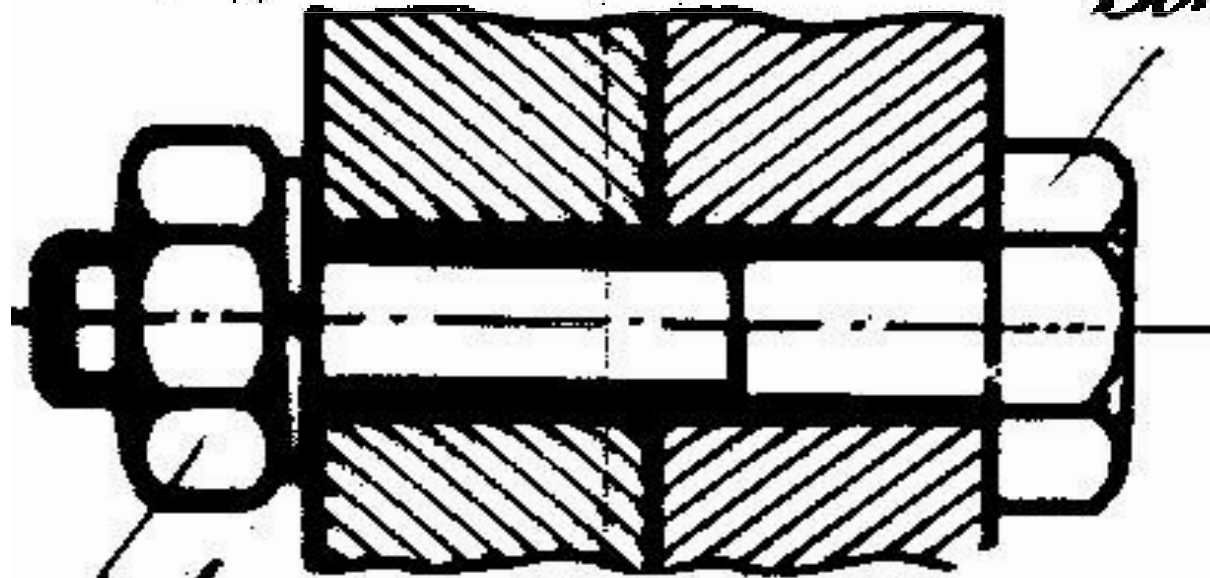


Pin

6005

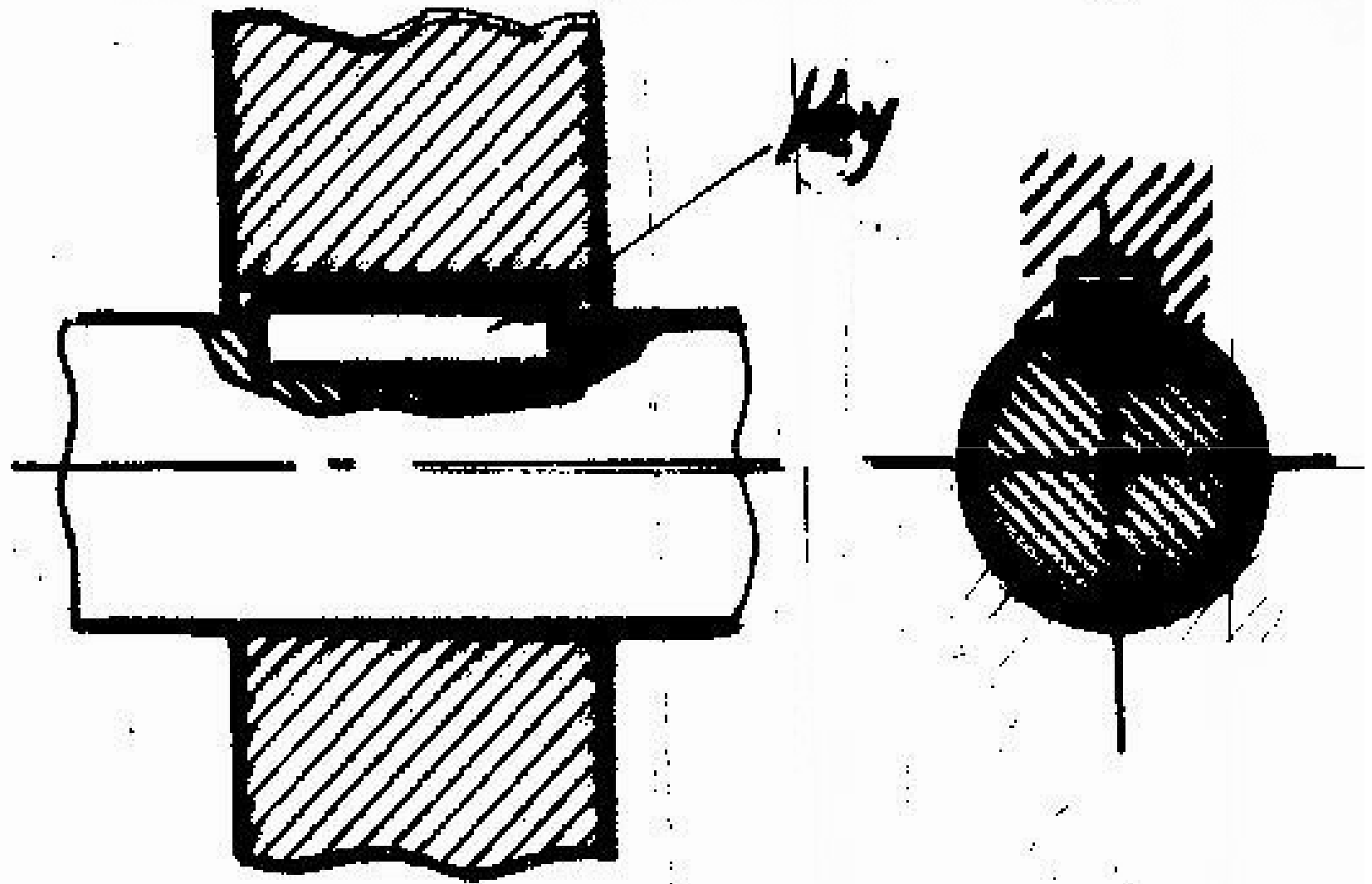


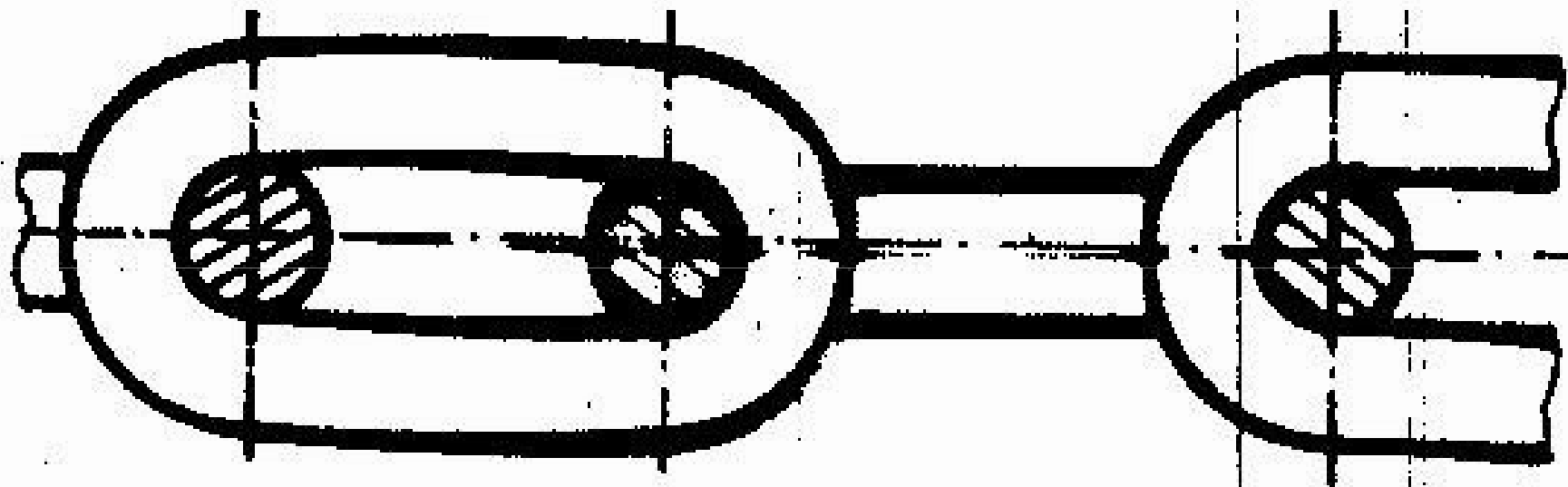
Rivet



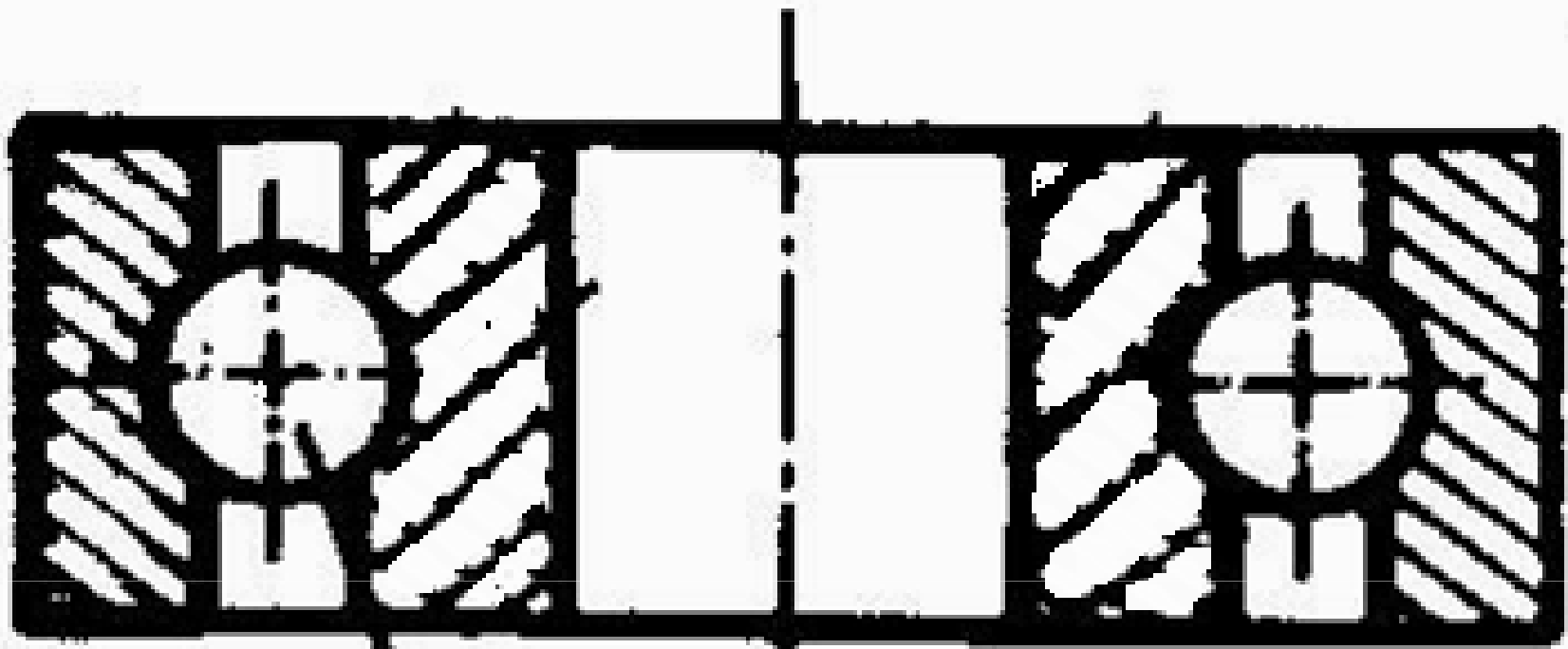
Bolt

Nut





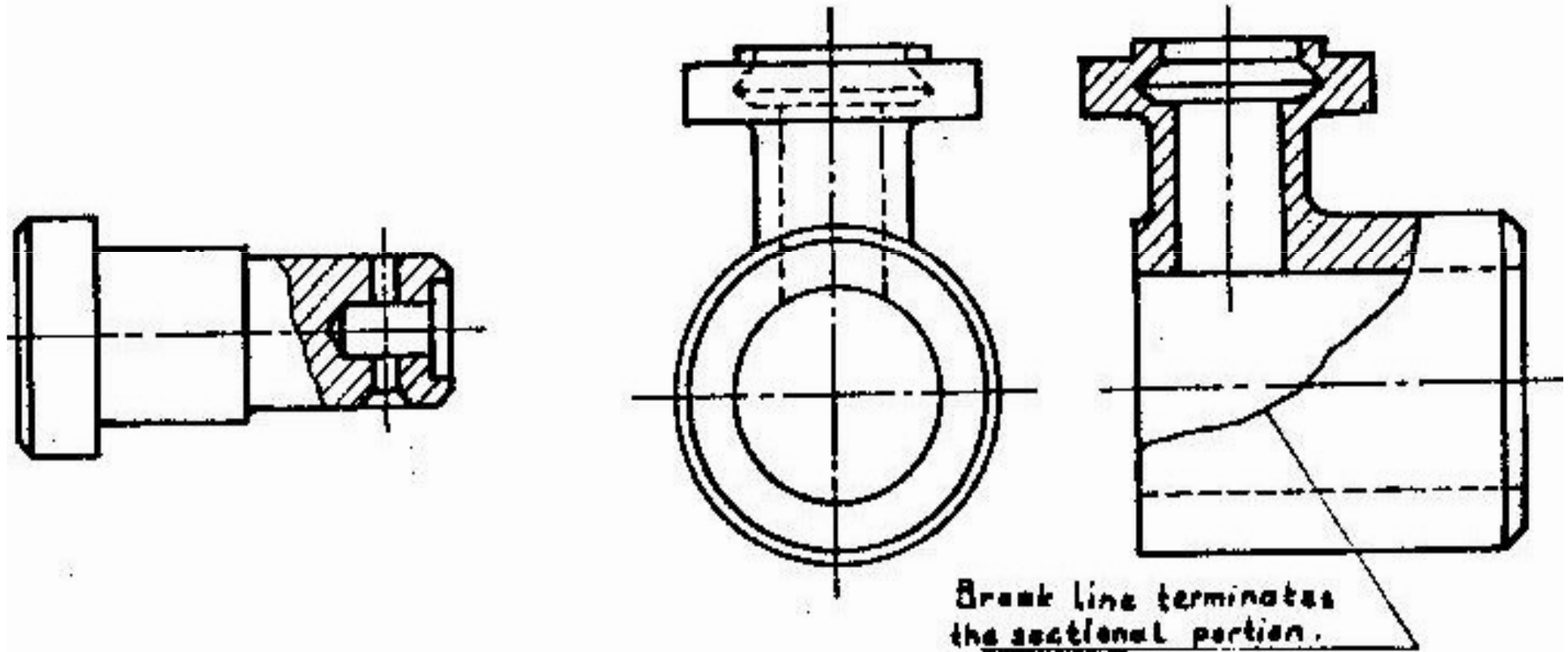
Chain Rings



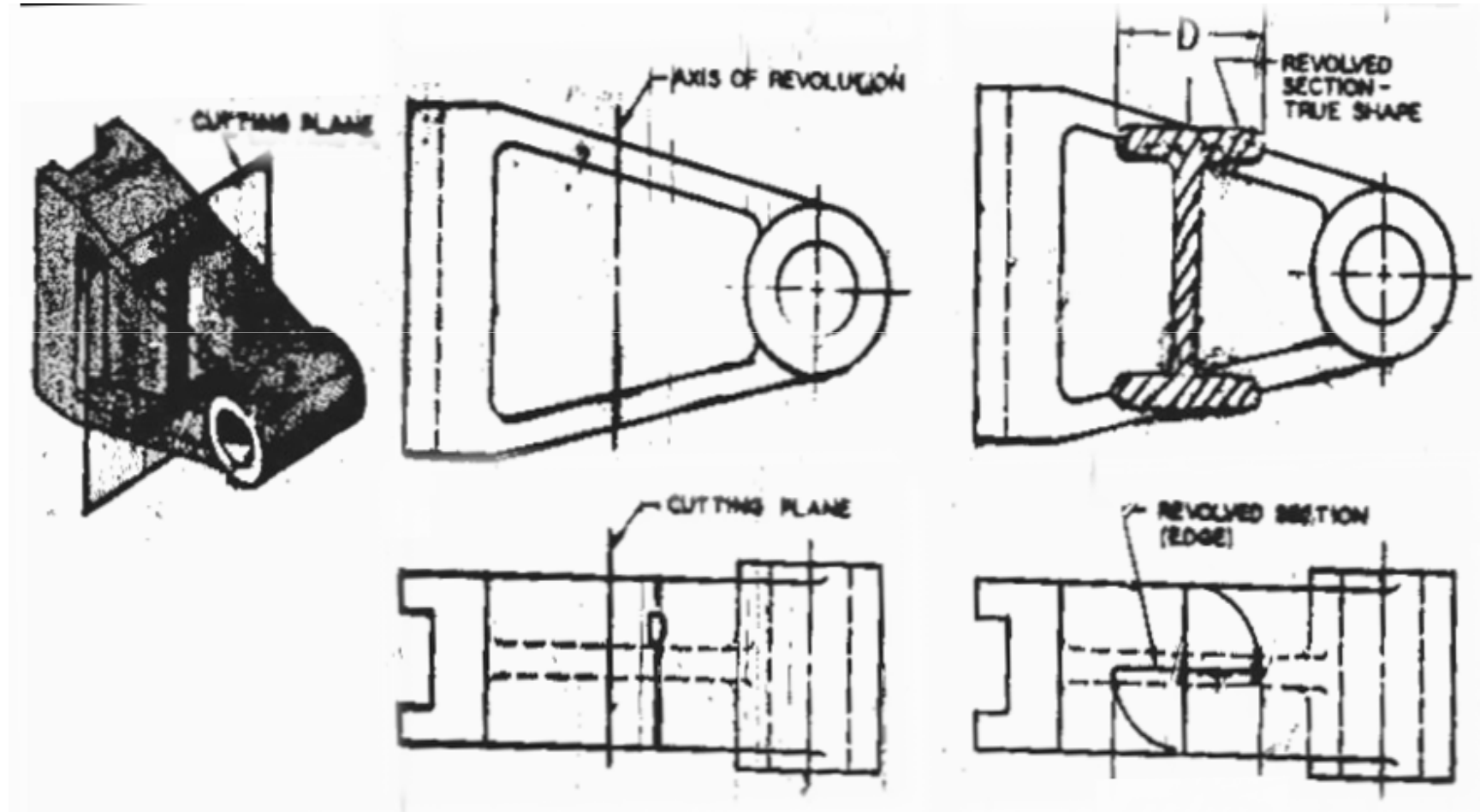
Roller

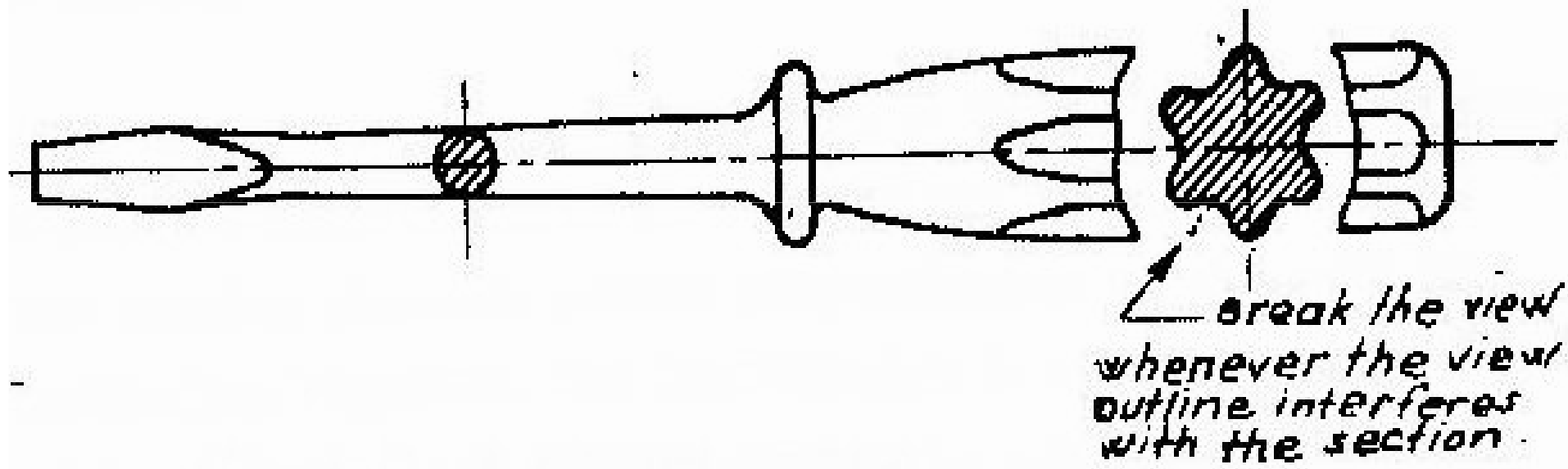
Bearing

Broken-Out Sections



Revolved Sections





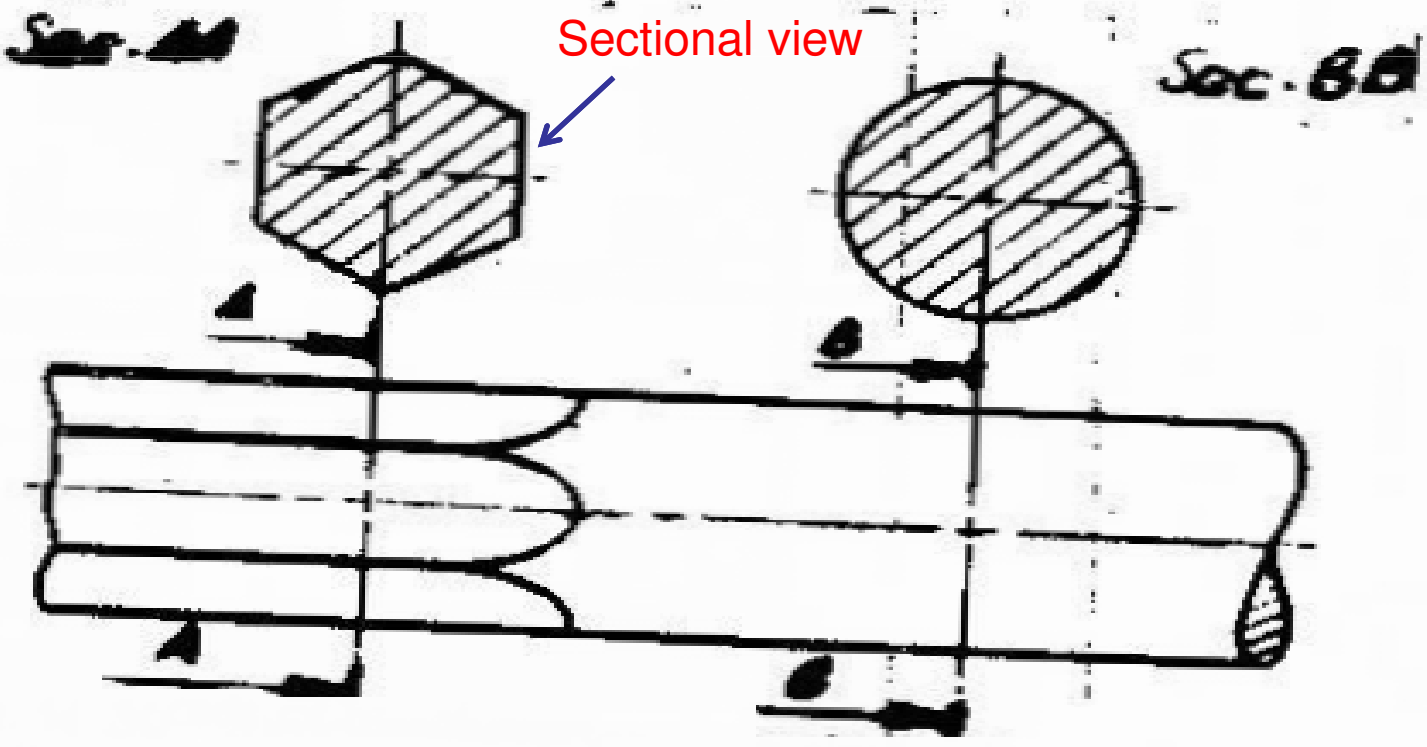
WITH CONVENTIONAL BREAKS

WITHOUT CONVENTIONAL BREAKS



Revolved Sectional view

Removed Sectional view



Aligned Sections

